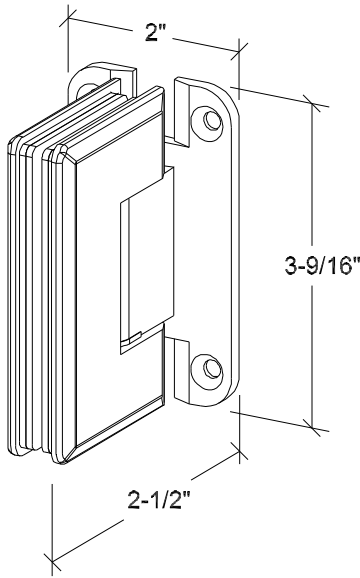


<u>Hinge</u>	<u>Type</u>	<u>Glass Thickness</u>	<u>Cut Out Detail #</u>	<u>Max Weight Per Hinge</u>	<u>Construction</u>
C-3012	Wall Mount	3/8" Tempered	C-3012	40 LBS	Solid Brass



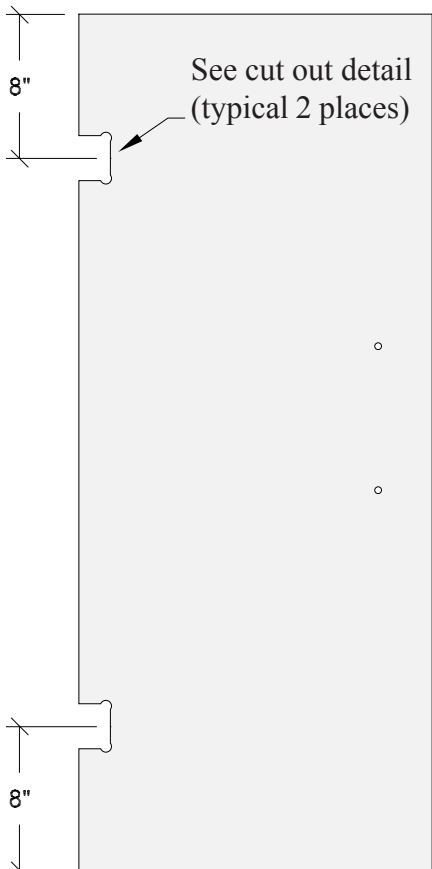
Specification using two hinges:

- Door Glass Max width not to exceed 28-1/2 inches.
- Door Glass Max weight not to exceed 80 lbs.

C-3012

Wall Mount Hinge (size reference)

Cut Out Detail # C-3012  
(typical 2 places)



C-3012

Centerline Cut Out Measurements

