

FAX NO.  
(904) 641-1697

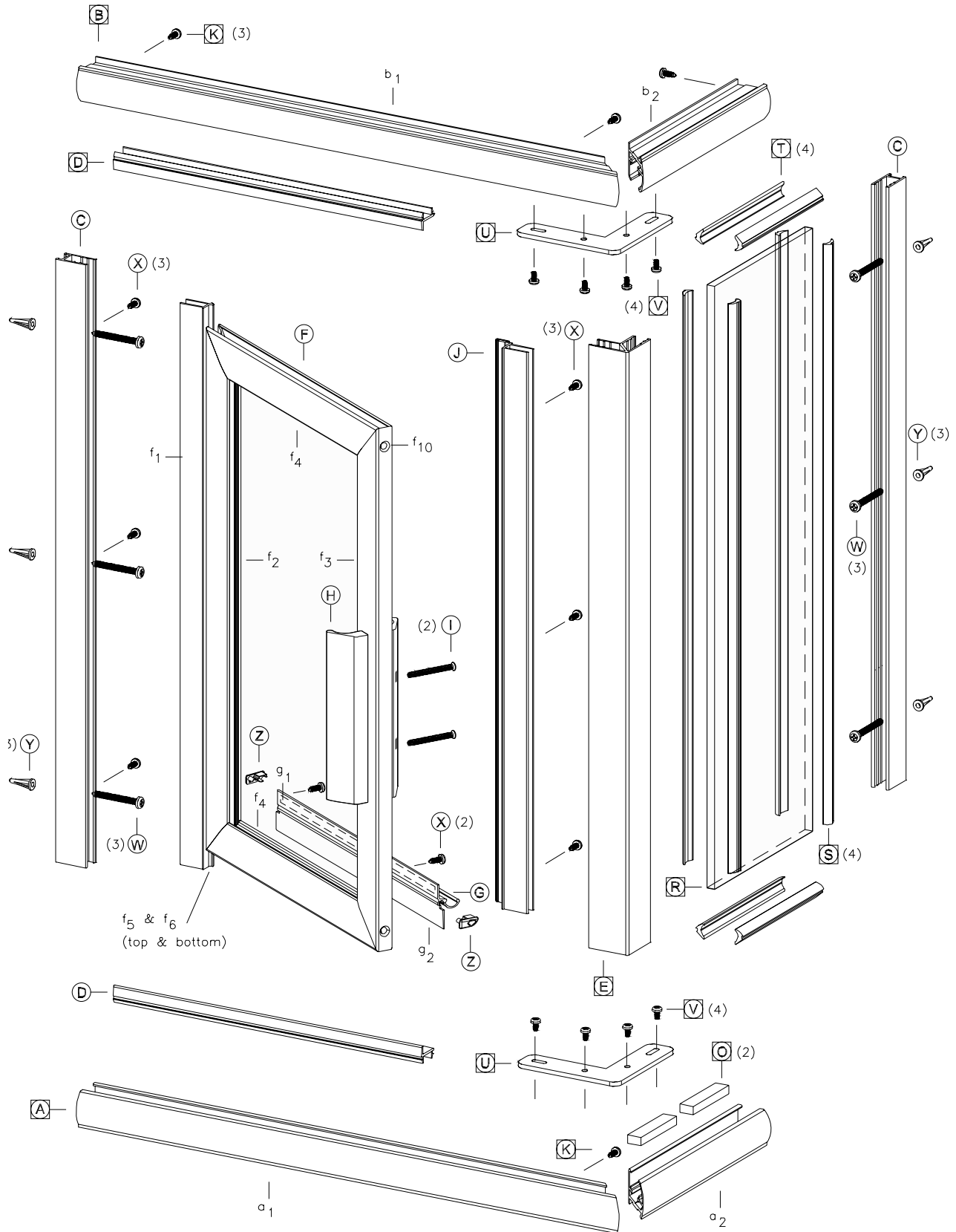
# Coastal Industries Inc.

P.O BOX 16091  
JACKSONVILLE, FLORIDA 32245

TELEPHONE NO.  
(904) 642-3970

## Paragon

Door w/ End Panel (level)



(1)

KEY LETTER	PART NUMBER	DESCRIPTION	QUANTITY
<b>A</b>		SILL ASSEMBLY	
a1	900	Sill (front piece)	1
a2	900	Sill (side piece)	1
<b>B</b>	900	HEADER ASSEMBLY	
b1	900	Header (front piece)	1
b2	900	Header (side piece)	1
<b>C</b>	903	WALL JAMB	2
<b>D</b>	901	DAM STRIP (top & bottom)	2
<b>E</b>	907	90 DEGREE CORNER POST	1
<b>F</b>	----	DOOR ASSEMBLY	1
f1	920	Hinge Post	1
f2	922	Hinge Stile	1
f3	924	Strike Stile	1
f4	925	Rails	2
f5	CP932	Hinge Pins (not shown)	2
f6	CP148TW	Hinge Washers (not shown)	2
f7	C921B	Hinge Sleeve (not shown)	1
f8	C940B	Glazing Vinyl (not shown)	--
f9	98-42	Magnetic Strip (not shown)	1
f10	6-8114FHP	Door Assembly Screws	4
f11	----	Door Assembly Glass	1
<b>G</b>	927	DRIP RAIL	1
g1	4403	Two sided tape	1
g2	C176B	Vinyl Sweep	1
<b>H</b>	930	DOOR HANDLES (set)	1
<b>I</b>	6114MSFHP	DOOR HANDLE SCREWS	2
<b>J</b>	926	STRIKE JAMB	1
<b>K</b>	638THS	#6 x 3/8" HEADER / SILL SCREWS	4
<b>O</b>	cp938	SETTING BLOCKS (curb)	2
<b>R</b>	----	GLASS (end panel)	1
<b>S</b>	C951B	VERTICAL GLAZING	--
<b>T</b>	C952B	HORIZONTAL GLAZING	--
<b>U</b>	313.90C	CORNER BRACKET, (90 degree)	2
<b>V</b>	838THP	#8 x 3/8" SCREWS (corner brackets)	8
<b>W</b>	6-8114PHP	INSTALLATION SCREWS	6
<b>X</b>	638PHPT	#6 x 3/8" ADJUSTMENT SCREWS	8
<b>Y</b>	1329	PLASTIC SCREW ANCHORS	6
<b>Z</b>	cp933	DRIP CAP (set)	1

**The two End Caps provided with the door kit (see door kit instructions) are not used when the unit utilizes a Header.**

### Mark Curb Centerline & Measure Segments

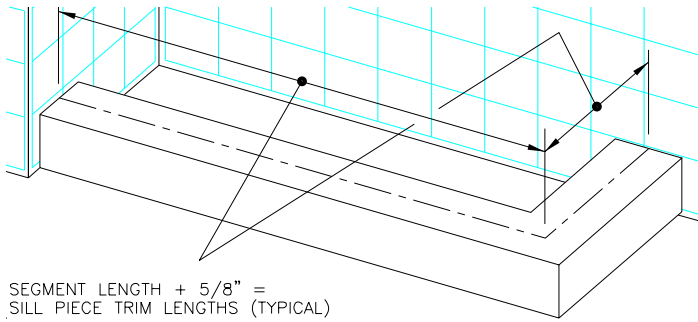


figure 1

Pencil mark the curb centerline as shown. Measure the front and return segment lengths and jot down their measurements in the spaces provided below. These are critical dimensions, so make sure to double-check your measurements.

front segment length \_\_\_\_\_ + 5/8" = front Sill trim length

return segment length \_\_\_\_\_ + 5/8" = return Sill trim length

### Trim Sill Pieces

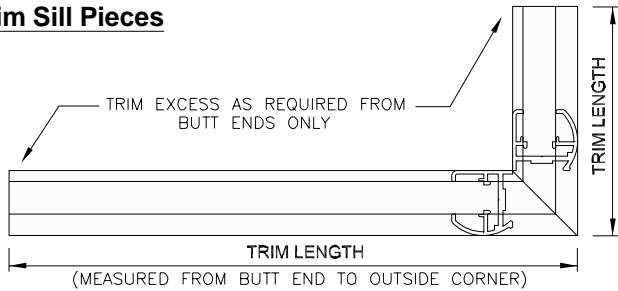


figure 2

Caution: before trimming, note that Sill pieces (a1 & a2) have weep holes; Header pieces (b1 & b2) do not. Trim sill pieces (a1 & a2) to the lengths specified in step 1. Trim pieces at butt ends only.

### Assemble and Position Sill on Curb

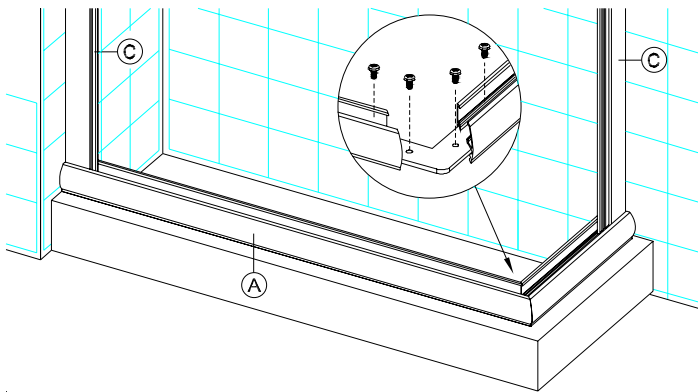


figure 3

Assemble Sill by inserting a Corner Bracket (U) into Sill pieces (a1 and a2) as shown. Pull the corner together, then using the Corner Bracket's two elongated holes as guides, mark and drill the Sill pieces with a 9/64" drill bit. Loosely secure Corner Bracket to Sill pieces using two #8 x 3/8" machine screws (V). Pull the corner tightly together, drill the two remaining holes and secure with two additional screws. Tighten all screws. Position assembled Sill on top of shower curb.

### Position and Install Wall Jamb

Position Wall Jamb (C) onto end of base Sill and up against the shower walls as shown in figure 3. Plumb the Wall Jamb, then pencil mark the installation hole locations on the shower walls (3 per Jamb). Remove Wall Jamb. Using a 3/16" drill bit, (designed to drill through material you are working with), drill 1" deep installation holes in the locations previously marked. Insert Plastic Screw Anchors (Y) into holes. Reposition Jamb as before and secure Jamb to walls using six (6) 1-1/4" Installation Screws (W).

### Install End Panel Glass and 90 degree Corner Post

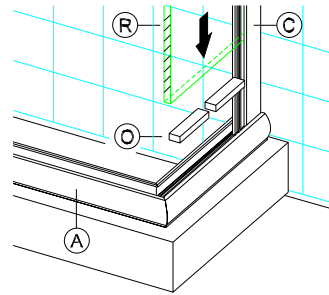


figure 4a

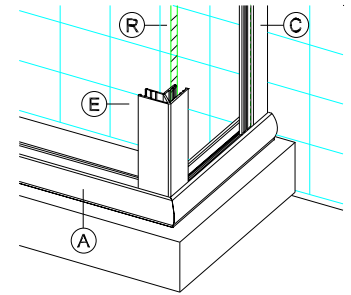


figure 4b

Insert glass support Setting Blocks (O) into the Sill cavity as shown in figure 4a. Set the Glass End Panel (R) on the Setting Blocks and slide Glass Panels a 1/2" into Wall Jamb (C). Hold panel in place by inserting a short piece of Glazing Vinyl (S) between the Glass Panel and the Wall Jamb, both inside and out.

Slide 90 degree Corner Post (E) over the exposed edge of Glass Panel and set it into the Sill cavity as shown in figure 4b.

Glass Panel must have a 1/2" insertion into the Wall Jamb and the 90 degree Corner Post in order for glazing vinyl to hold glass properly. Double check for 1/2" glass insertion before proceeding.

### Measure, cut, assemble & position Header

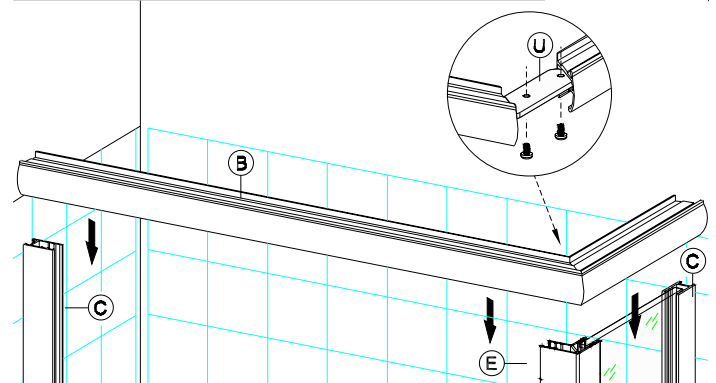


figure 5

Trim Header pieces (b1 & b2) to length as required. Assemble Header by inserting a Corner Bracket (U) into Header Pieces as shown. Pull the corner together, then using the Corner Bracket's two elongated holes as guides, mark and drill the header pieces with a 9/64" drill bit. Loosely secure Corner Bracket to Header pieces using two #8 x 3/8" machine screws (V). Pull the corner tightly together, drill the two remaining holes and secure with two additional screws. Tighten all screws. Position Header on top of Jamb. Do not secure at this time.

## Trim top & bottom Dam Strips

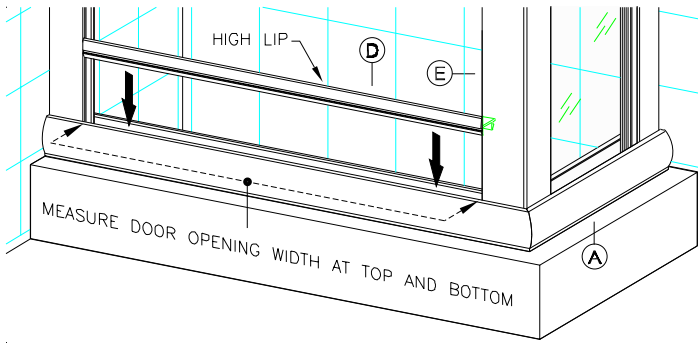


figure 6

Measure the door opening width at Sill and Header levels. Trim top and bottom Dam Strips (D) to measurements obtained. With high lips toward exterior, position Dam Strips on the Header and Sill and snap them into place.

## Install Door Assembly

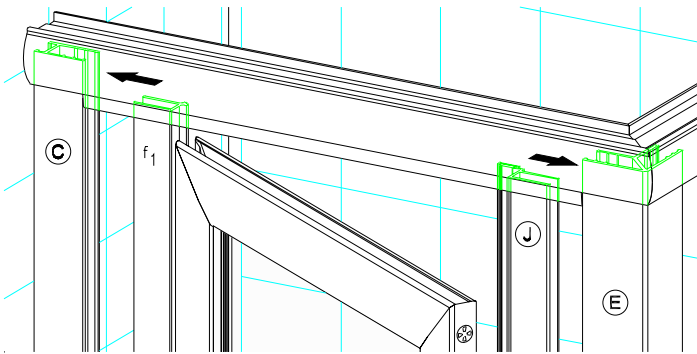


figure 7

Insert the Door Assembly's Hinge Post (f1) into the Post from which it is to swing, then insert the Strike Post (J) into the post it will strike (see exploded view - sheet 1). *Magnet on door should face toward interior when installed, while magnet on strike post should face toward exterior.*

## Attach Door Handles

Attach the Door Handles (H) to the door using two (2) Door Handle Screws (I) as shown in exploded view - sheet 1.

## Secure Header

From interior, secure both ends of Header to Wall Jamb using one 638THS Installation Screw (K) at each end. Screw (K) is not self drilling, therefore, pre-drill pilot holes using a 7/64" drill bit. To prevent glass breakage when drilling the Header, temporarily slide glass panel away from Wall Jamb. When done, re-center glass panel.

## Secure Corner Post

Secure Corner Post (E) to Header and Sill using two (2) 638THS Screws (K). Screw (K) is not self drilling, therefore, pre-drill pilot holes using a 7/64" drill bit.

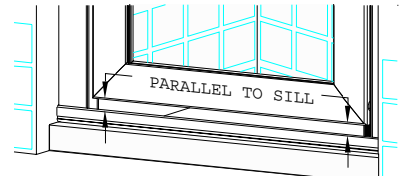
## Insert Glazing Vinyls

Insert Vertical and Horizontal Glazing Vinyl (S & T) to secure the Glass Panels (R & Q) in place. Use a vinyl roller to speed up installation.

## Adjust Door Assembly

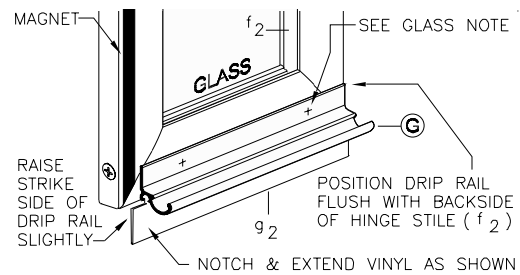
Adjust Door Assembly and Strike Post as needed for proper Door operation. Note: Door Assembly bottom must always remain parallel to Sill in order for door to operate properly.

When satisfied with door operation, secure Hinge Post (f1) and Strike Post (J) to the vertical posts using six (6) 638PHPT Installation Screws (X). See exploded view - sheet 1.

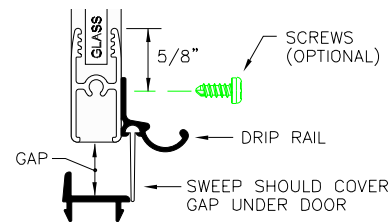


## Attach Drip Rail

Notch and extend Vinyl Sweep (g2) pass Drip Rail edge as shown in figure below. Attach Drip Plugs (Z) onto Drip Rail (see exploded view - sheet 1), be sure to remove the knockout on the hinge side drip plug so the water will drain. Clean bottom rail of door with alcohol to remove any oil. Failure to clean door rail prior to installation of Drip Rail (G) may cause tape to release. Remove backing from tape and position Drip Rail flush with backside of Hinge Stile (f2) as shown in figure below.



Sweep should cover gap at bottom of Door as shown in figure below. Slightly elevate Drip Rail at strike side prior to securing to create a sloping effect.



## Glass Note:

Two (2) optional self drilling screws (O) are provided in case you want to further secure the drip rail. If using screws to attach drip rail . . . **never** drill holes within 5/8" of exposed glass! To do so will result in glass breakage.

## Leak Proof Your Installation

Run a bead of clear mildew resistant caulking down the full length of each Wall Jamb **outside** where the Jamb meets the Walls. Now run a bead **outside** where the Sills meets the curb. Follow caulking manufacturer's instructions before using shower (normally 24 hours). Installation is now complete.