

# Coastal Industries Inc.

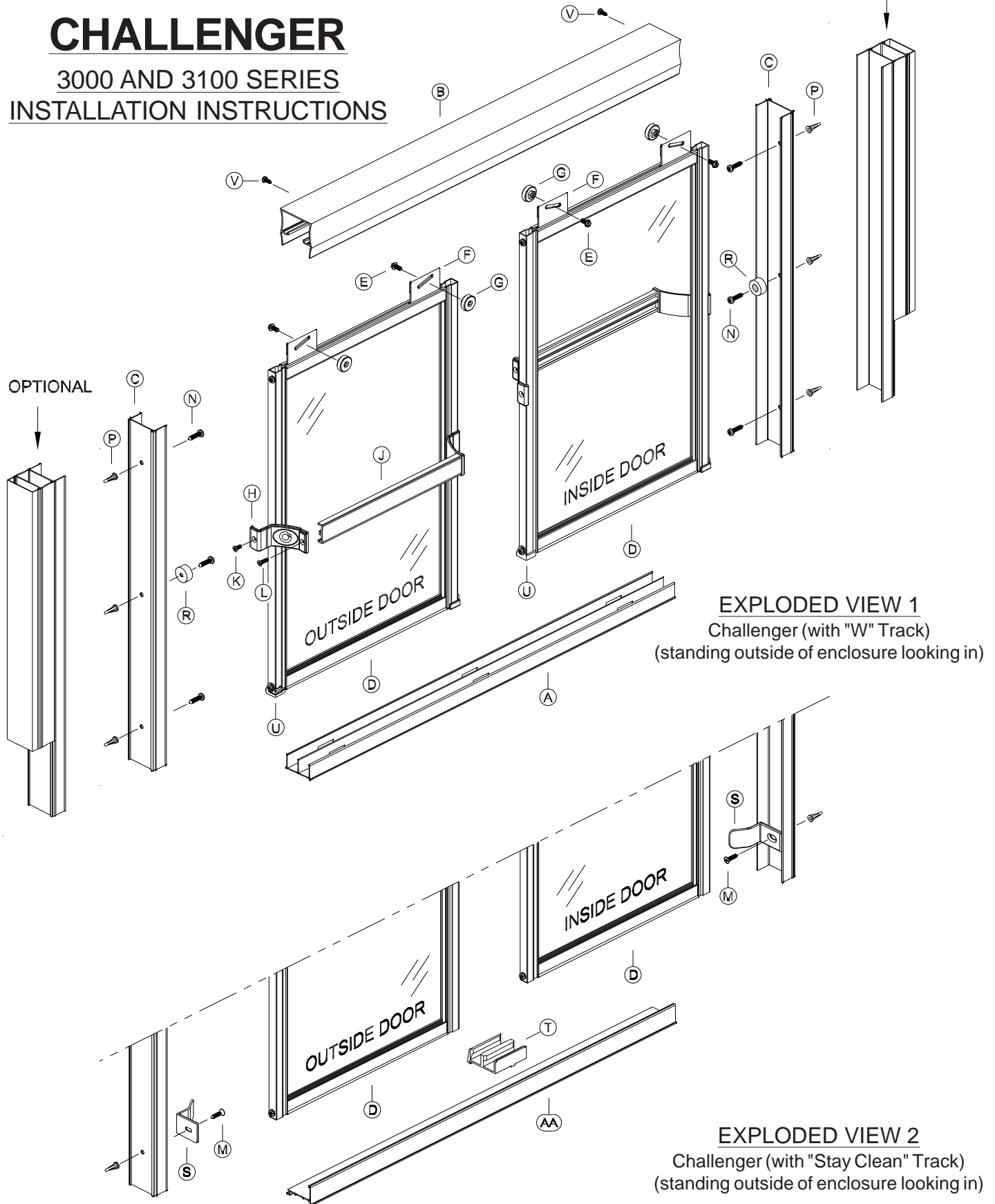
FAX NO.  
(904) 641-1697

P.O. BOX 16091  
JACKSONVILLE, FLORIDA 32245

TELEPHONE NO.  
(904) 642-3970

## CHALLENGER

3000 AND 3100 SERIES  
INSTALLATION INSTRUCTIONS



## PARTS LIST

<u>KEY LETTER</u>	<u>PART NUMBER</u>	<u>DESCRIPTION</u>	<u>QUANTITY</u>
A	90	SILL ("W" TRACK UNIT ONLY).....	1
AA	490	SILL (STAY CLEAN UNIT ONLY).....	1
B	45	HEADER.....	1
C	126	WALL JAMB.....	2
D	----	DOOR PANEL ASSEMBLY.....	2
E	832HEX	ROLLER SCREWS.....	4
F	234	HANGER BRACKET (INSTALLED).....	4
G	PN193	ROLLER .....	4
H	CP545	TOWEL BAR BRACKETS (nylon) .....	4
J	136	SINGLE TOWEL BAR.....	2
K	638F	6-32 x 3/8" PHILLIPS FLATHEAD.....	4
L	612F	6-32 x 1/2" PHILLIPS FLATHEAD.....	4
M	81FHP	JAMB GUIDE SCREW (STAY CLEAN UNIT ONLY).....	2
N	834P	INSTALLATION SCREWS ("W" TRACK UNIT)..... (STAY CLEAN UNIT).....	6 4
P	1329	PLASTIC SCREW ANCHOR.....	6
R	5168S	BUMPER.....	2
S	CP110	JAMB GUIDE (STAY CLEAN UNIT ONLY).....	2
T	CP1102	TRACK GUIDE (STAY CLEAN UNIT ONLY).....	1
U	1105	NYLON GUIDE ("W" TRACK UNIT ONLY).....	4
V	812QPT	HEADER SCREW.....	2

## TOOLS / MATERIALS

MASKING TAPE  
MEASURING TAPE  
SAFETY GLASSES  
PENCIL / FELT TIP PEN

HAMMER  
HACKSAW  
LEVEL  
ELECTRIC DRILL

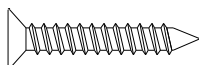
CENTER PUNCH  
3/16" MASONRY DRILL BIT  
PHILLIPS SCREW DRIVER  
STANDARD SCREW DRIVER OR 1/4" WRENCH  
CLEAR CAULKING OR SEALANT (MILDEW RESISTANT)

### Unit Installation Screws

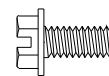
(shown full size as reference)



(K)\_638 TOWEL BAR BRACKET SCREW



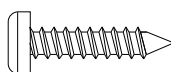
(M)\_81FHP JAMB PANEL GUIDE SCREW



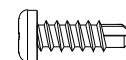
(E)\_832HEX ROLLER SCREW



(L)\_612 TOWEL BAR BRACKET SCREW

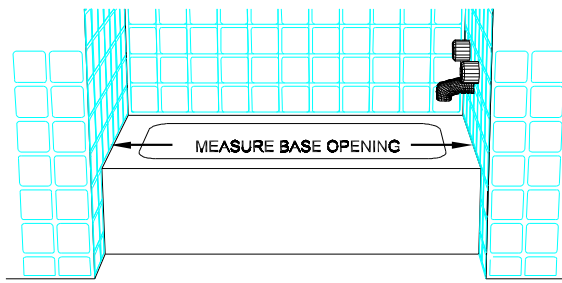


(N)\_834P INSTALLATION SCREW



(V)\_812QPT HEADER SCREW

## STEP 1 Measure base opening & cut Sill



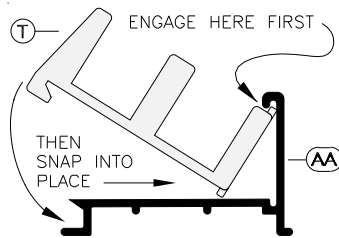
Measure the base opening along the center of the shower curb as shown in step 1. Using a hacksaw . . . cut the Sill (A) or (AA) to 5/16" less than the base opening.

**("W" TRACK)** \_Position Sill (A) on the shower curb with drain holes to the interior, insuring that it is centered left to right and front to back.

**(STAY CLEAN)** \_Position Sill (AA) on the shower curb with high lip to the exterior, insuring that it is centered left to right and front to back.

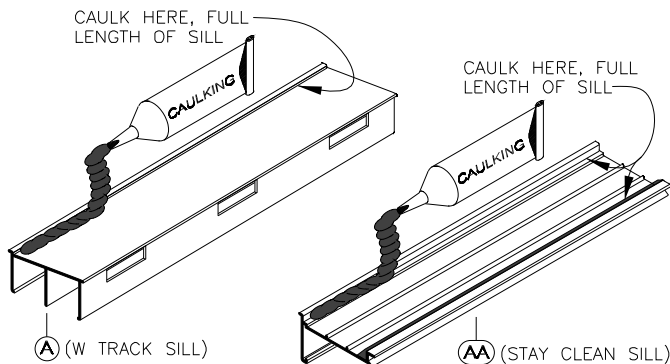
When satisfied that Sill is properly centered, tape Sill to curb and pencil mark it's position. Check to see that Sill has been cut to the proper length by temporarily placing Wall Jambes (C) at either end of Sill (as shown in step 4) and checking for proper fit. Remove Sill from curb.

## STEP 2 Snap on Track Guide (Stay Clean units only)



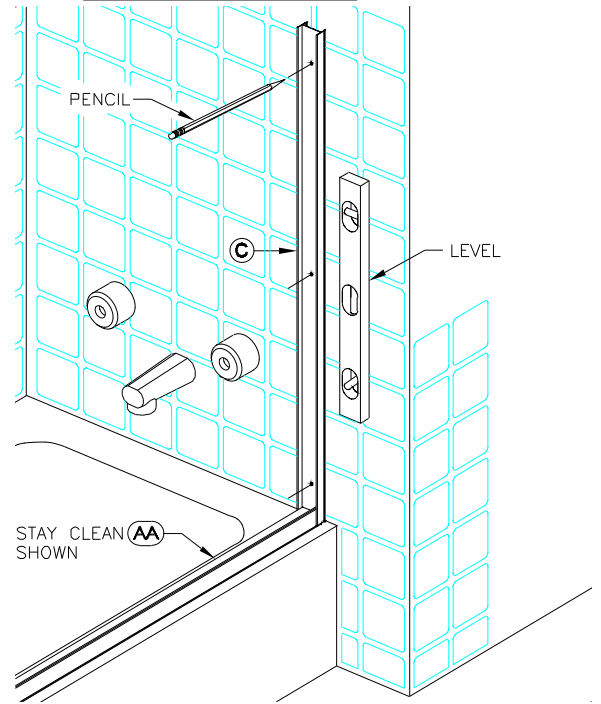
For proper operation, Track Guide (T) must be centered on Sill (AA). Measure the length of Sill (AA) and pencil mark the center. Now center the Track Guide (T) on the center mark and snap into place as shown in figure above.

## STEP 3 Caulk Sill & reposition



Turn Sill over and apply a bead of caulking the full length of the Sill as shown in figure above. Apply enough to slightly overfill corners. Reposition Sill on shower curb in the exact location previously pencil marked in step 1. At this time the sill may be re-taped to the shower curb to prevent drastic movement while installing the wall jambes.

## STEP 4 Installing Wall Jambes

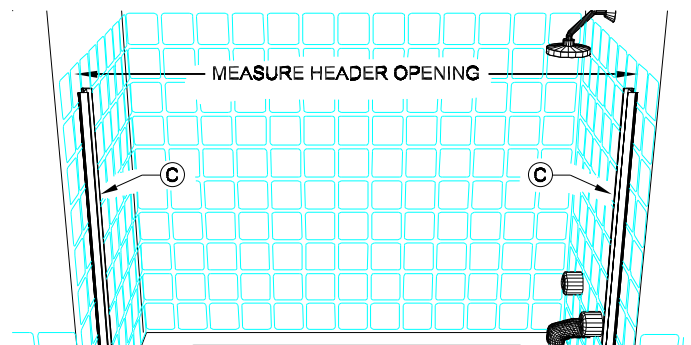


Position Wall Jambes (C) onto ends of Sill (A) or (AA) and up against shower walls. Use a level to plumb the Wall Jambes, then make a pencil mark on the shower walls thru each of the six (6) installation holes (*three per jamb*). Remove Wall Jambes and lightly center punch installation hole locations. Drill 1" deep installation holes using a 3/16" masonry bit and Insert Plastic Screw Anchors (P).

**("W" TRACK)** \_Reposition Wall Jambes as before and secure to shower walls using six (6) #8 x 3/4" Installation Screws (N). Insure that both Jamb Bumpers (R) are secured to the Wall Jambes using the center installation screw (*see front sheet - exploded view 1*).

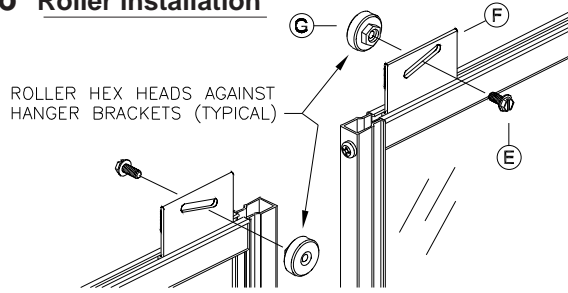
**(STAY CLEAN)** \_Reposition Wall Jambes as before and secure to shower walls using four (4) #8 x 3/4" Installation Screws (N). Insure that both Jamb Bumpers (R) are secured to the Wall Jambes using the center installation screw (*see front sheet - exploded view 1*). Use the #8 x 3/4" Flat Head Screws (M) to secure Jamb Guides (S) to lower installation hole of Wall Jambes (*see front sheet - exploded view 2*).

## STEP 5 Measure Header opening & cut Header



Measure the wall to wall opening at the top of the Wall Jambes (C) and cut the Header (B) to 1/16" less than the measurement obtained. Position Header (B) on top of the Wall Jambes (C). Secure Header to Wall Jambes using two 812QPT self drilling screws (V), *see exploded view*.

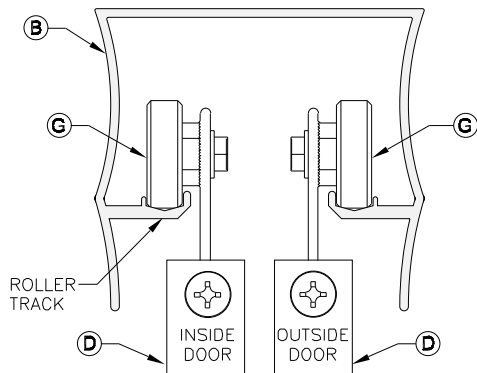
## STEP 6 Roller installation



Before attaching Rollers (G) to Door Panels (D), insure that Door Panels are turned so that the rough side of Aquatex glass or the graphics side of etched glass (depending on model purchased), is facing toward outside of shower enclosure.

Using the exploded view above as a guide, attach Rollers (G) to Hanger Brackets (F) using an #832 Hex Head Screw (E). Note: protruding hex head on roller should always face hanger bracket.

## STEP 7 Door Panel Installation



Install the outside Door Panel (D) by Lifting Panel up and into the Header (B).

**("W" TRACK)** Lower Panel into the bottom track Sill (A) and engage the Rollers (G) with the roller track.

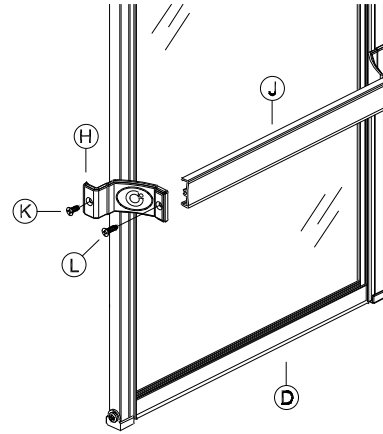
**(STAY CLEAN)** Lower Panel into the Track Guide (T) and engage the Rollers (G) with the roller track.

Slide outside Door Panel into Wall Jamb located on wall opposite of shower head. Check Panel to make sure that it is parallel to the Wall Jamb. If it is not, remove the Door Panel and adjust the rollers either up or down by loosening the Roller Screws and sliding the Rollers. When satisfied with outside Door Panel alignment, proceed with inside Door Panel installation.

When installed, slide inside Door Panel into Wall Jamb located on **shower head wall** and check for alignment with Wall Jamb. Adjust Rollers as necessary.

## STEP 8 Towel Bar Installation

Towel Bars shall be installed on same side as the Rollers, see exploded view 1 - front sheet.

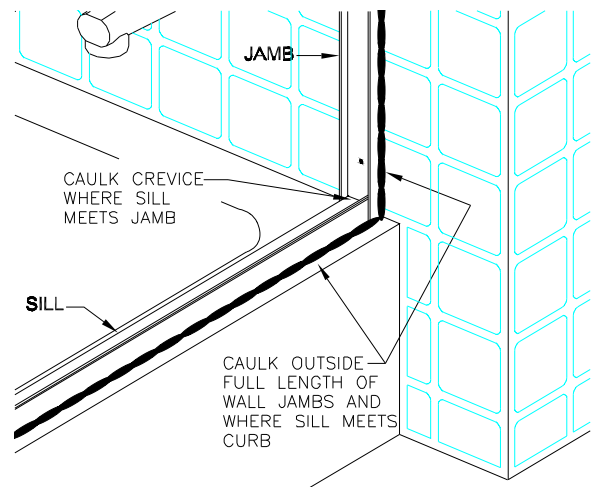


Loosely attach the Towel Bar Brackets (H) to the Door Panel Assemblies (D) with the #6 x 3/8" flat head Screw (K) provided. Do not tighten screws at this time.

Attach the Towel Bars (J) to the Brackets (H) with the #6 x 1/2" flat head Screws (L) provided. Tighten all towel bar screws at this time (do not . . . repeat . . . do not over tighten).

Remove backing from Coastal Stickers (V) and adhere to each of the four (4) Towel bar brackets.

## STEP 9 Leak Proof Installation



To insure a leak proof installation . . . Run a bead of clear mildew resistant caulking down the full length of each Wall Jamb (**outside**) where the Wall Jambs meet the walls (see figure above). Now run a bead (**outside**) where the Sill meets the shower curb.

Finally, run a bead where the sill meets either Wall Jamb (see figure above). Follow caulking manufacturer's instructions before using shower. Installation is now complete.

Note:

Never caulk the inside of the shower unit as this will cause your unit to be susceptible to water leaks.