

PREPARATION

Approximate Installation Time: 90 minutes

Tools Required for Installation:

- Chop Saw or Hacksaw
- Electric Drill
- 3/16" Masonry Drill Bit
- 3/16" Metal Drill Bit
- 9/64" Metal Drill Bit
- Philips Bit
- Pencil / Felt Tip Pen
- Safety Glasses
- Measuring Tape
- Masking Tape
- Philips Screw Driver
- 9/16" Wrench
- 5/8" Wrench
- Level
- Rubber Mallet
- Clear Caulking or Sealant



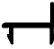




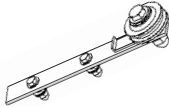
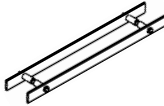
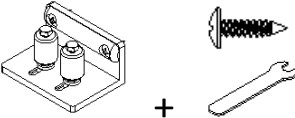
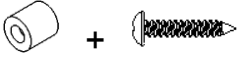
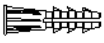



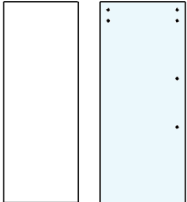
QUESTIONS

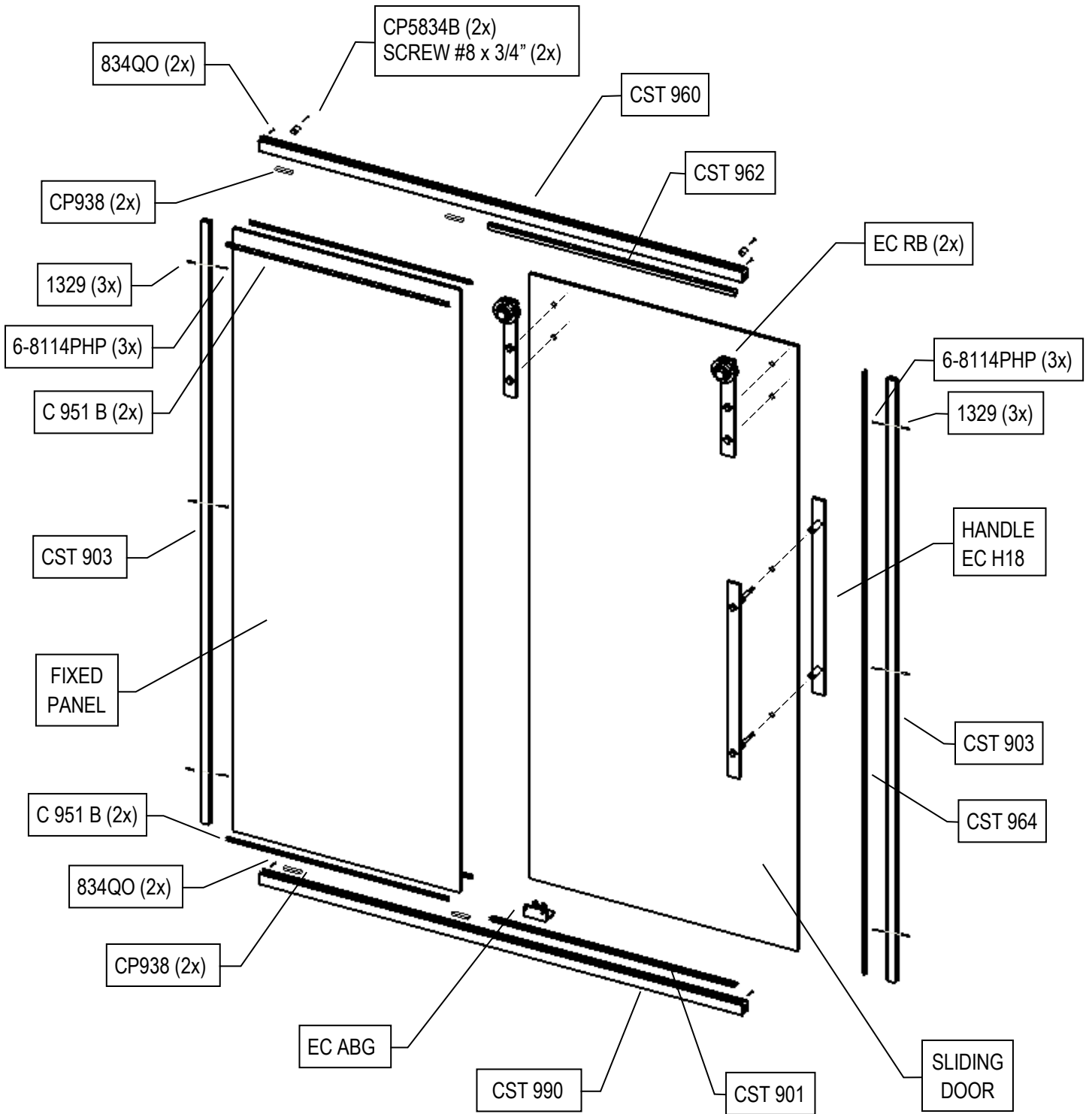


Before beginning installation of product, make sure all parts are present. Compare parts with package contents list and diagram below. Panel size may differ from images shown. If any part is missing or damaged, do not attempt to install the product.

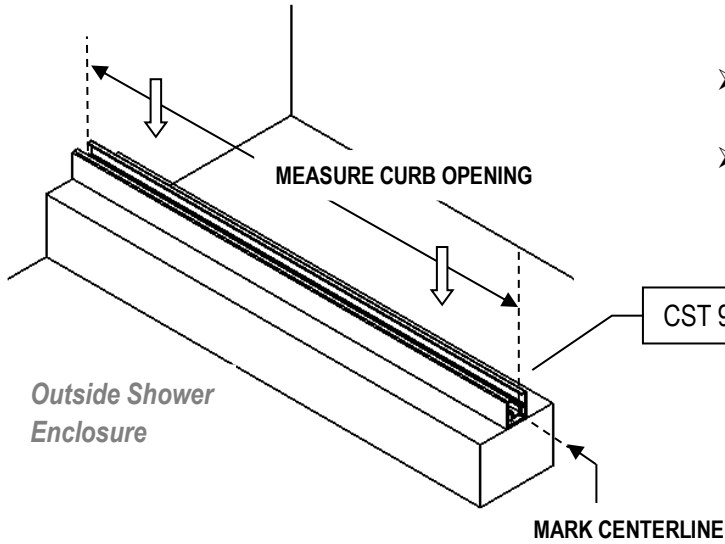
Please call our customer service department at 1-800-874-8601, 8 am - 5 pm EST, Monday to Friday.

PACKAGE CONTENTS

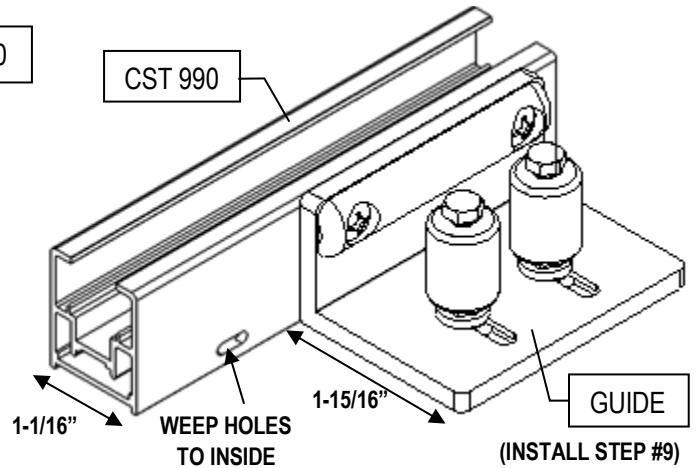
	CST 990	Sill	1
	CST 960	Header	1
	CST 901	Sill Cover Dam	1
	CST 962	Header Cover	1
	CST 903	Wall Jamb	2
	CST 964	Door Jamb Cover	1
	C 951 B	Push-In Vinyl Sill / Header	1
	EC RB	Roller Bracket Assembly	2
	EC H18	18" CC Back-to-Back Door Handle	1
	EC ABG	Adjustable Bottom Guide (with Hex Wrench and 2x Screw #8 x 5/8")	1
	CP5834B	Door Bumper (each with 1x Screw #8 x 3/4")	2
	1329	Plastic Screw Anchor	6
	6-8114PHP	Installation Screw (#8 x 1-1/4")	6
	834QO	Header / Sill Screw (#8 x 3/4")	4
	CP938	Setting Block	4
	-	Sliding Door and Fixed Panel Glass (3/8")	1 + 1



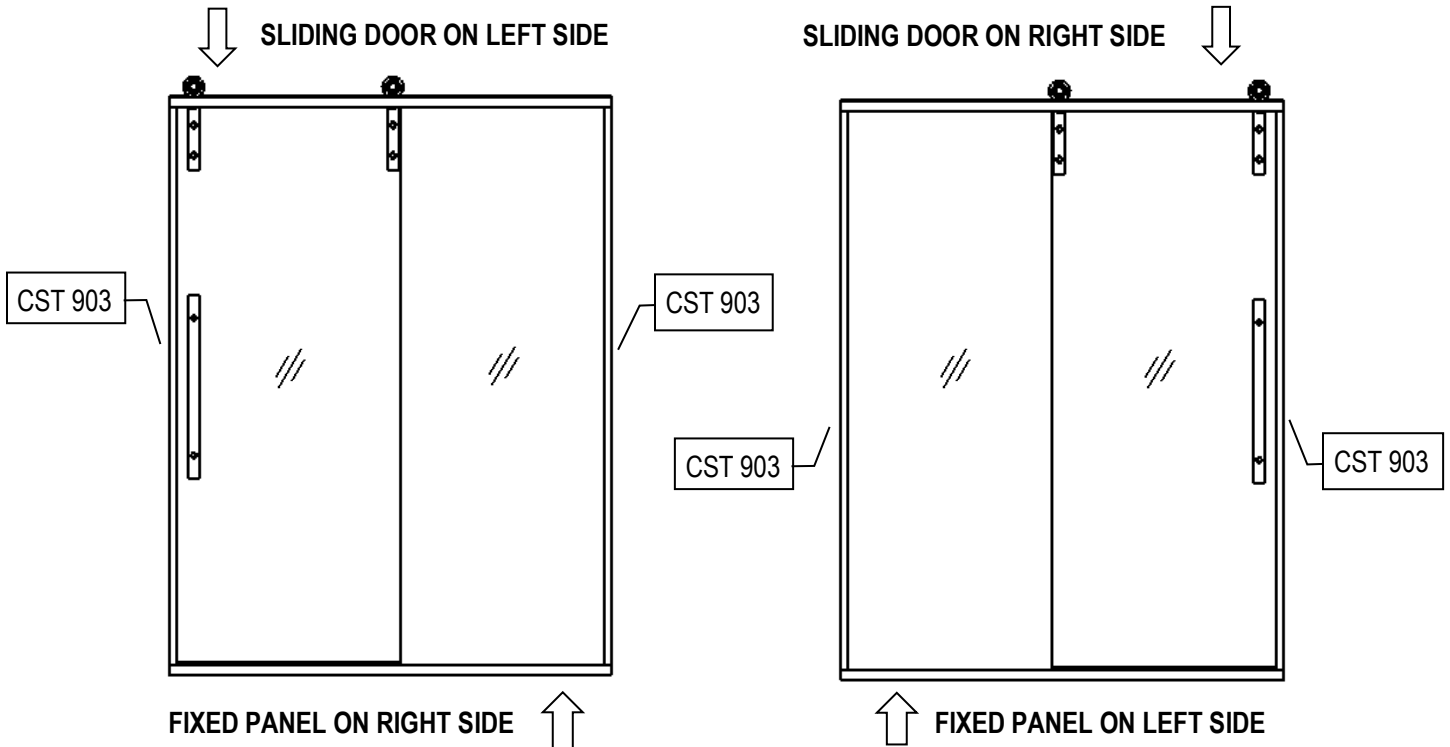
STEP 1. TRIM AND POSITION SILL ON CURB CENTERLINE



- Strike a centerline on the curb where the **Sill CST 990** will sit. The **Sliding Door** is to the inside of the unit. The **Bottom Guide EC ABG** attaches inside the **Sill**, about 2" deep.
- Measure the opening at the curb along the centerline. Trim the **Sill** (with weep holes) to fit.
- Position and center the **Sill** on the centerline with the weep holes to the inside of the shower enclosure. Temporarily tape in place to prevent movement.

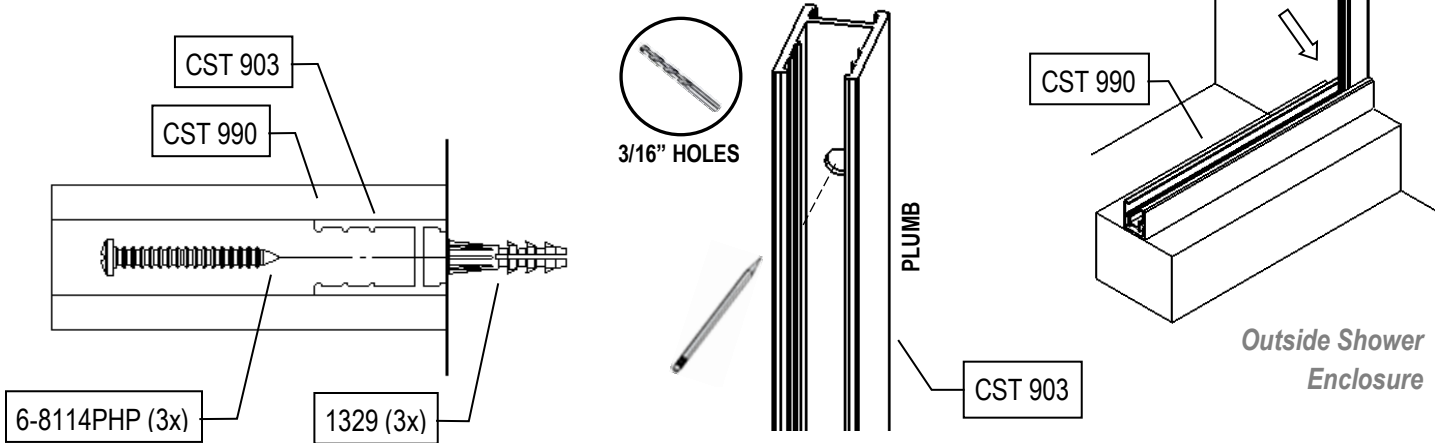


STEP 2. IDENTIFY DOOR AND FIXED PANEL LOCATION

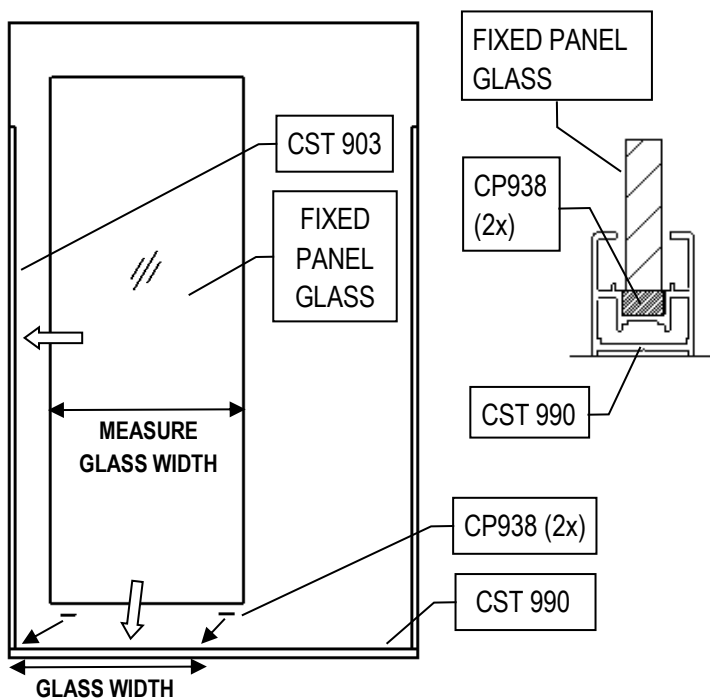


STEP 3. INSTALL WALL JAMBS

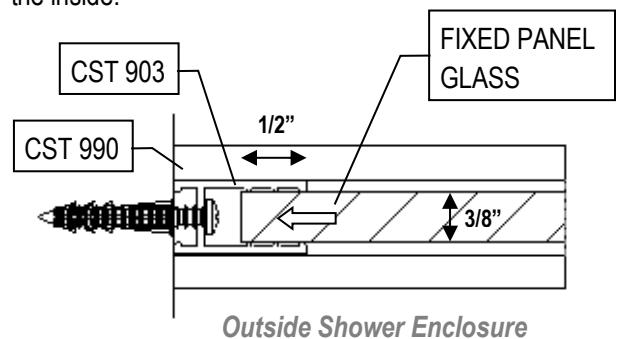
- Set a **Wall Jamb CST 903** into the **Sill CST 990** and up against the wall on the **Sliding Door** side.
- While holding the **Jamb** plumb with a level, use the pre-drilled holes in the **Jamb** to pencil mark (3) hole locations on the wall.
- Remove the **Jamb** and drill installation holes 1-1/4" deep using a 3/16" masonry bit. Insert **Plastic Screw Anchors 1329** into the holes.
- Secure the **Jamb** in place using (3) **Installation Screws 6-8114PHP** (#8 x 1-1/4").
- Repeat for installation of **Jamb** on the **Fixed Panel** side.



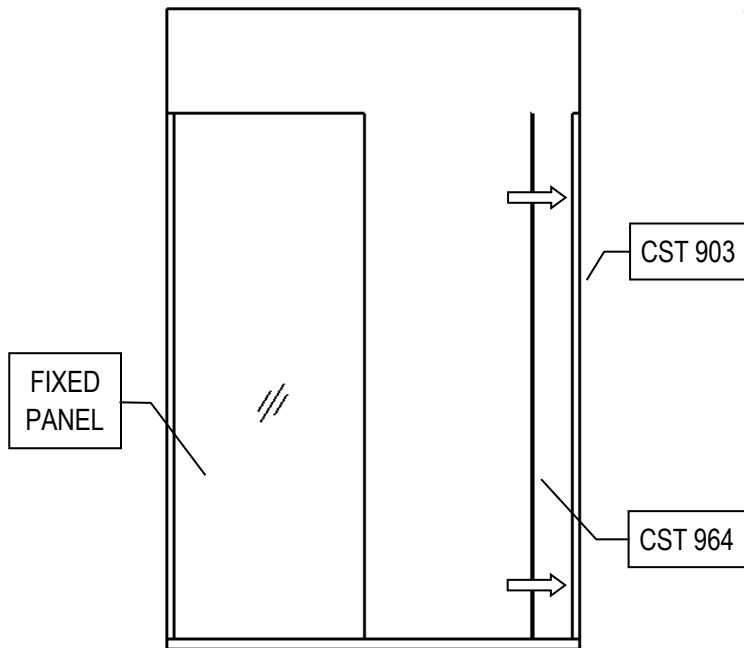
STEP 4. SET FIXED PANEL



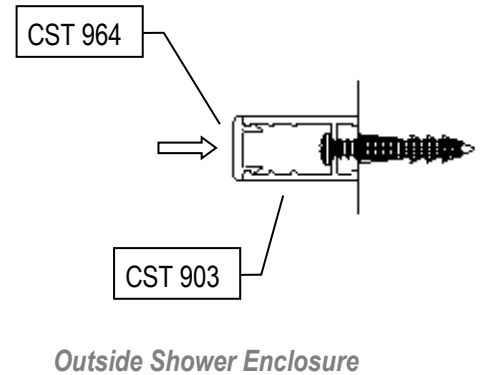
- Place one **Setting Block CP938** into the **Sill CST 990** at the **Wall Jamb CST 903** on the **Fixed Panel** side.
- Measure the **Fixed Panel Glass** width. Place a **Setting Block** in the **Sill** at that distance from the wall.
- Set the **Fixed Panel Glass** onto the **Setting Blocks** in the **Sill** and push the **Glass** into the **Wall Jamb CST 903** until it is fully inserted (1/2" deep or more).
- For **Satin Glass**, the Satin side is to the outside. For **Glass** treated with Coastal Clarity, the treated side is to the inside.



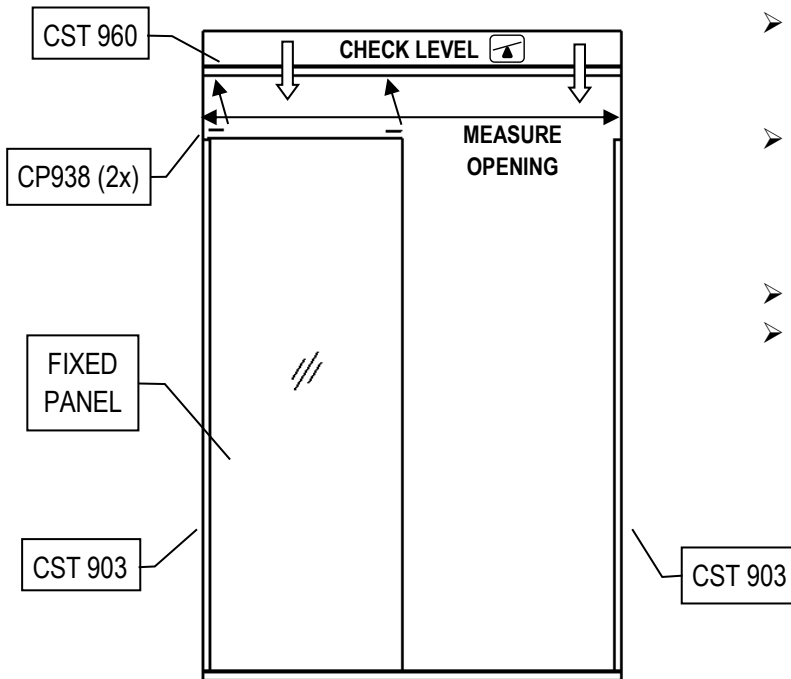
STEP 5. INSERT DOOR JAMB COVER



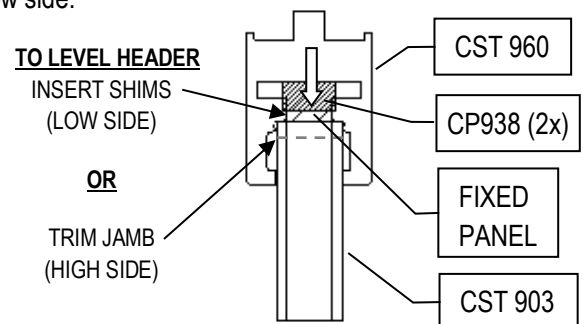
- Snap the Door Jamb Cover **CST 964** into the Wall Jamb **CST 903** on the Sliding Door Side.



STEP 6. TRIM AND INSTALL HEADER

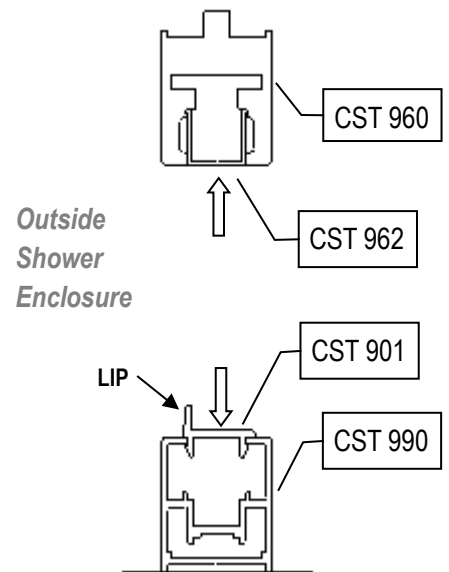
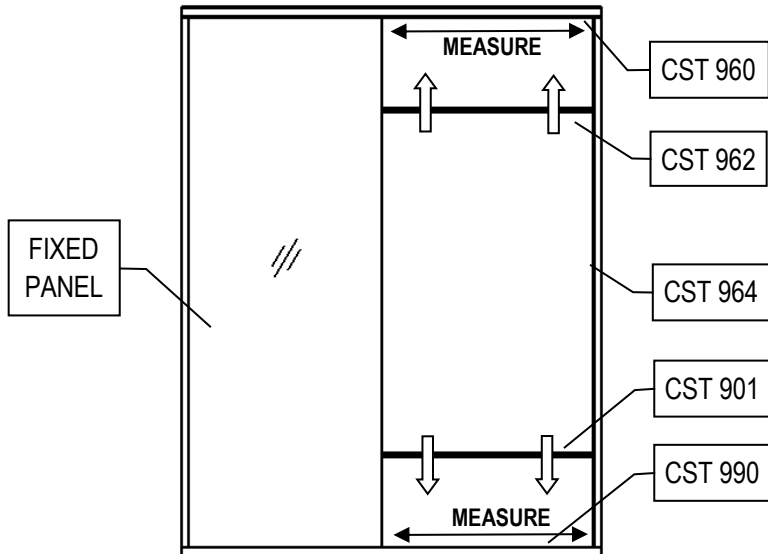


- Measure the finish-to-finish shower opening above the Wall Jamb **CST 903** and the Fixed Panel. Trim the Header **CST 960** to fit.
- Place one Setting Block **CP938** into the Header at 1" from the Fixed Panel end. Place a second Setting Block into the Header at distance of Fixed Panel Glass width from the same end.
- Set the Header over the Jamb and Fixed Panel.
- Check if the Header is level. If not level, make level by:
 - (A) Trim the Jamb on the high side. OR
 - (B) Insert Shim(s) between the Jamb and Header on the low side.

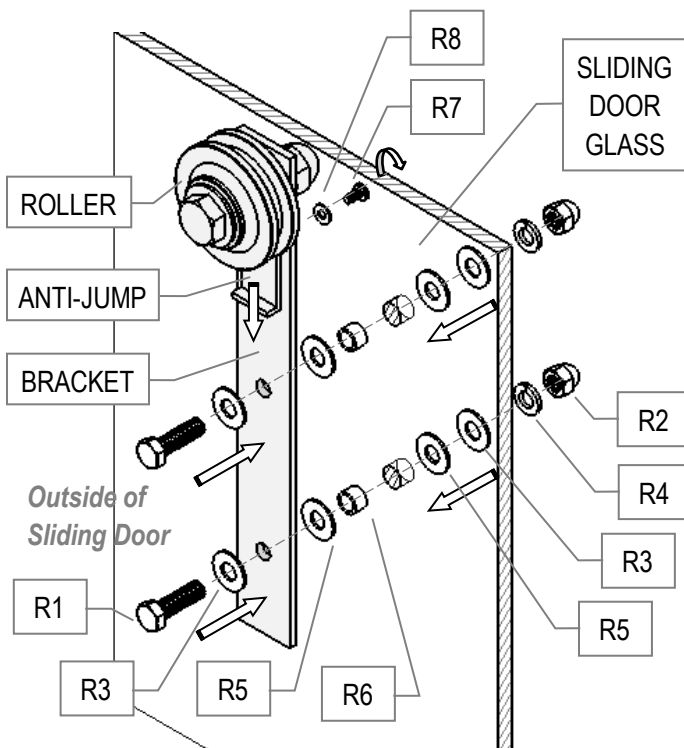


STEP 7. TRIM AND INSTALL HEADER COVER AND SILL COVER

- Measure between the **Door Jamb Cover CST 964** and the **Fixed Panel Glass** at the **Header CST 960**. Trim the **Header Cover CST 962** to the measurement obtained.
- Snap the **Header Cover** into the **Header**. Spread the U-Channel legs wider apart for a tighter fit if required.
- Measure between the **Jamb Cover** and **Fixed Panel** at the **Sill CST 990**. Trim the **Sill Cover Dam CST 901** to the measurement obtained.
- Snap the **Sill Cover** into the **Sill** with the lip toward the outside of the enclosure.

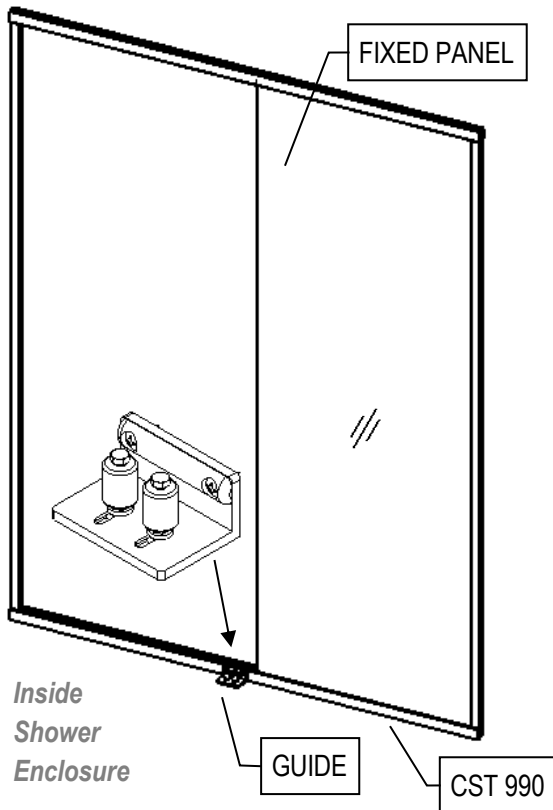


STEP 8. INSTALL ROLLER BRACKETS TO SLIDING DOOR

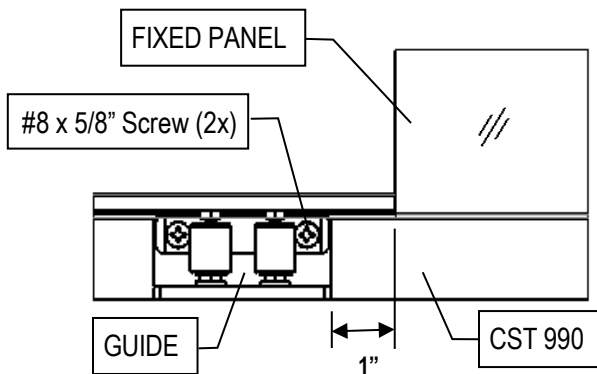
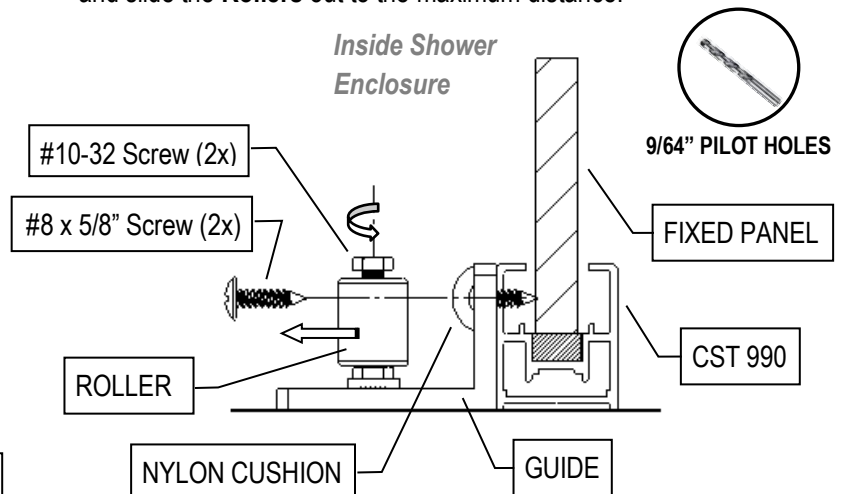


- Locate existing holes at the top of the **Sliding Door** for the **Roller Brackets EC RB**.
- Loosen the **Cap Nuts (R2)** from the (2) **3/8" Hex Machine Screws (R1)** on the **Roller Bracket**.
- Slip a **Metal Washer (R3)** onto each **Screw (R1)**.
- Insert the **Screws (R1)** through the **Bracket** on the side with the **Roller**.
- For a frameless unit slip a **Plastic Washer (R5)** and a **Plastic Bushing (R6)** onto each **Screw (R1)**.
- Place the **Bracket** against the outside of the **Door (Roller facing out)** and insert the **Screws (R1)** through the **Door**.
- Slip a second **Plastic Washer (R5)** and **Metal Washer (R3)** onto each **Screw (R1)**. Slip a **Split Locking Washer (R4)** onto each **Screw (R1)**.
- Set a **Cap Nut (R2)** on each **Screw (R1)** and check that the **Bracket** is aligned with the edge of the **Sliding Door**. Tighten the **Cap Nuts (R2)** until the **Lock Washer (R4)** is flattened.
- Partially loosen the **#10-32 Screw (R7)** holding the **Anti-Jump**.
- Repeat for the second **Roller Bracket**.

STEP 9. INSTALL DOOR GUIDE

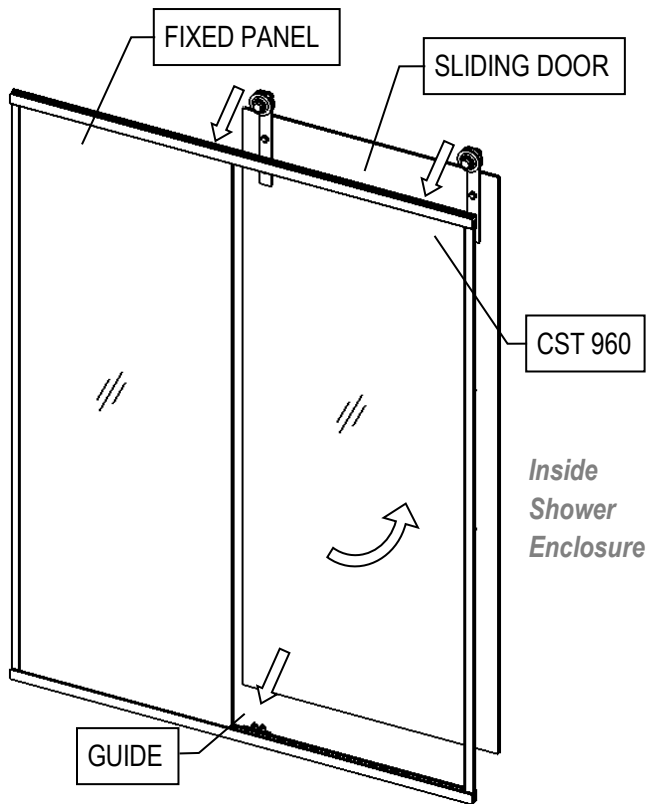


- Place the **Bottom Guide EC ABG** against the inside of the **Sill CST 990** at 1" from the edge of the **Fixed Panel**. Mark hole locations on the back of the **Sill**.
- Remove the **Guide** and drill 9/64" pilot holes 3/4" deep.
- Set the **Guide** back in place with the **Nylon Cushion** over the holes and secure in place using (2) **#8 x 5/8" Screws** (Black Head).
- Partially loosen the **#10-32 Hex Screws** holding the **Rollers** in place and slide the **Rollers** out to the maximum distance.

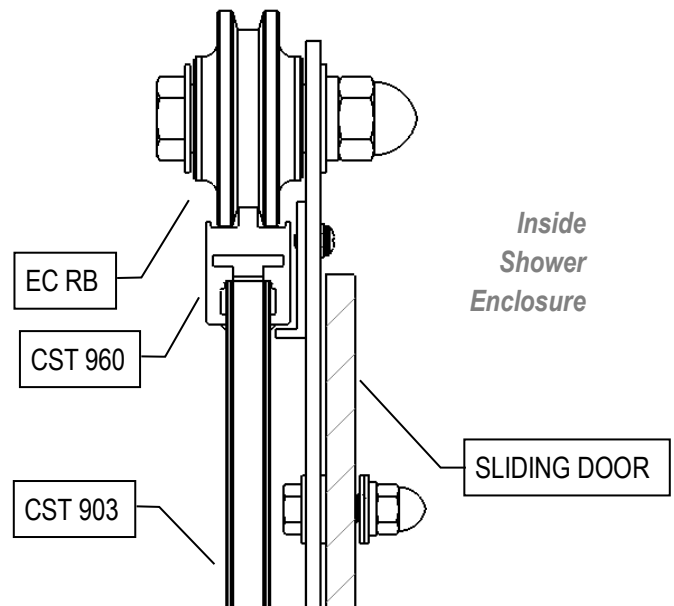


Inside Shower Enclosure

STEP 10. HANG SLIDING DOOR

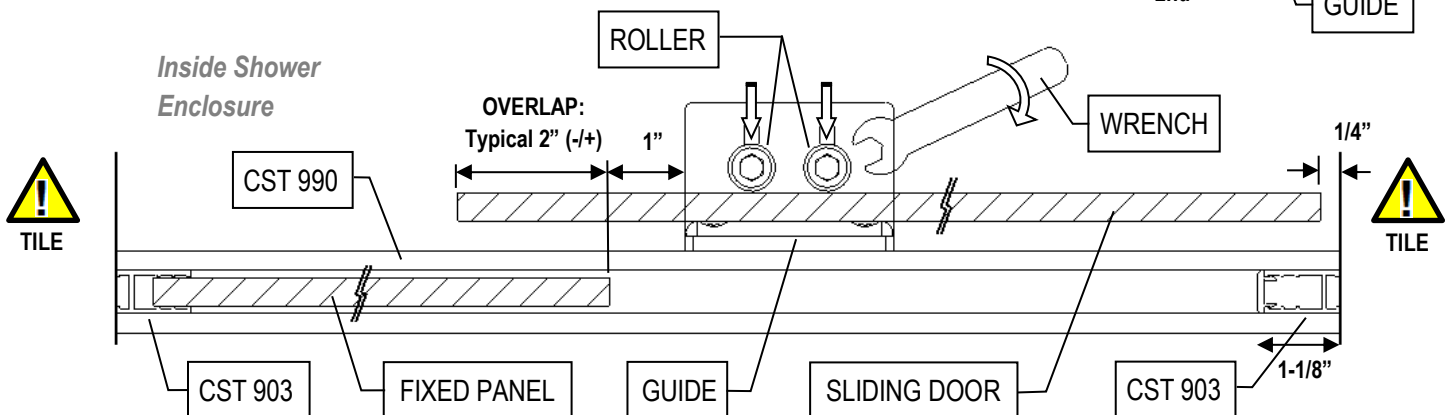
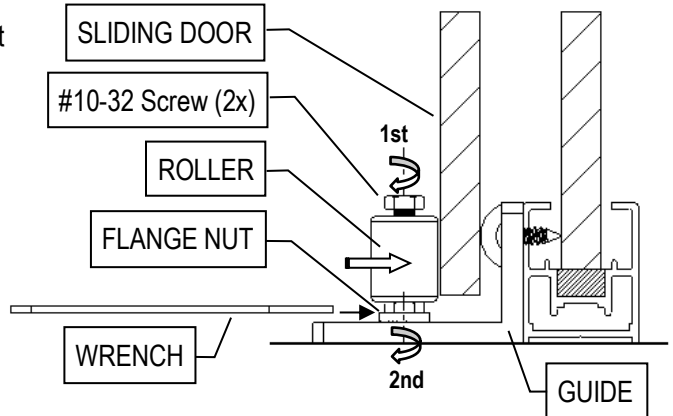


- Bring the **Sliding Door** inside the shower enclosure with the **Roller Brackets EC RB** facing to the outside of the enclosure. (Remove the **Header CST 960** temporarily for easier access.)
- Lift the **Door**, tilt the bottom into the **Bottom Guide EC ABG**, and set the **Rollers** onto the track on top of the **Header**.

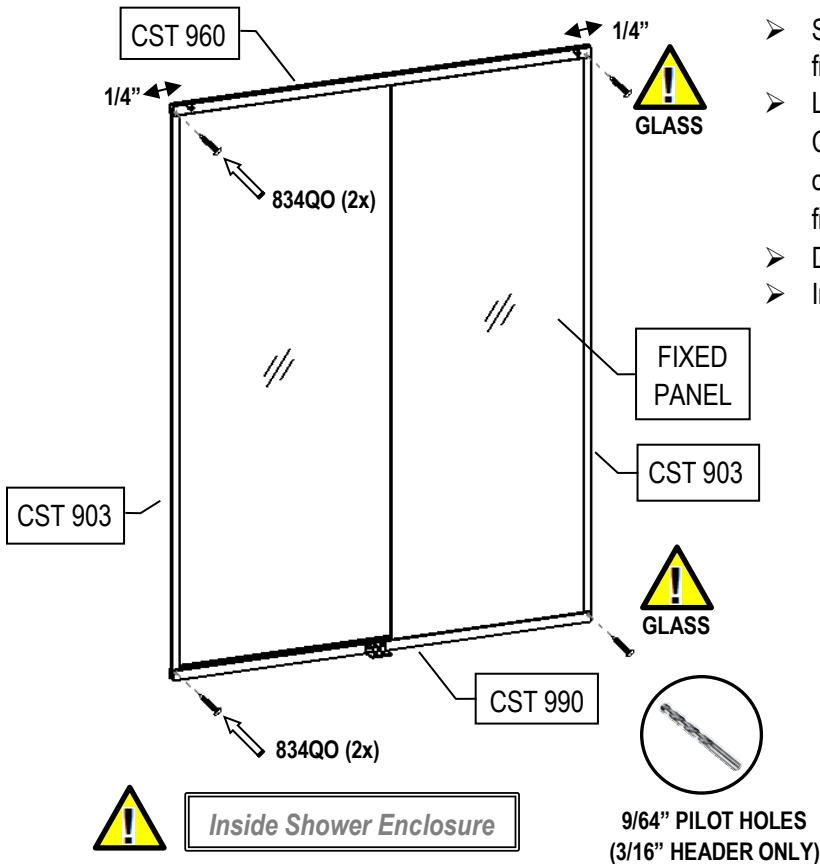


STEP 11. ADJUST BOTTOM GUIDE AND CHECK DOOR OPERATION

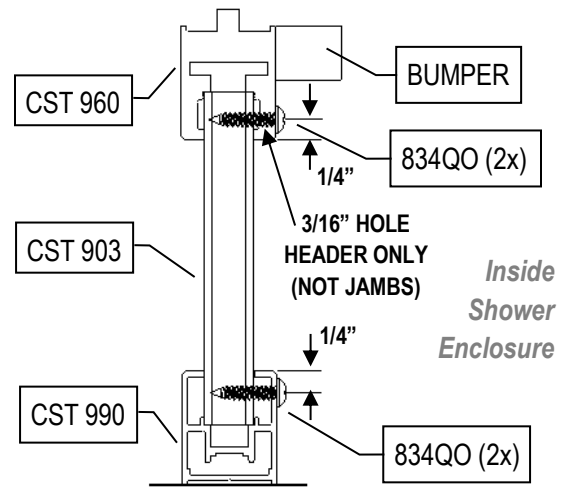
- Push the **Rollers** on the **Bottom Guide EC ABG** tight against the **Sliding Door**. Tighten the **#10-32 Hex Screws** until they stop against the floor. Then use the **Hex Wrench** provided with the **Guide** to tighten the **Flange Nuts** under the **Rollers**.
- Open and close the **Sliding Door** to make sure it is operating properly. **Header CST 960** should be level so that the **Door** does not roll unless pushed.
- **CAUTION:** Handle **Door** carefully until Bumpers are installed. Do not slam **Door** into tile wall!



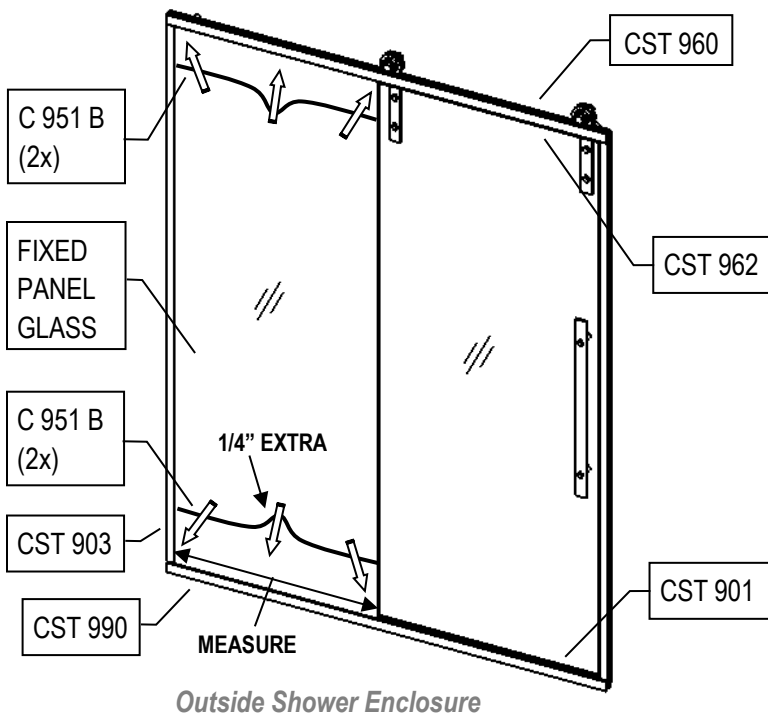
STEP 12. SECURE HEADER AND SILL



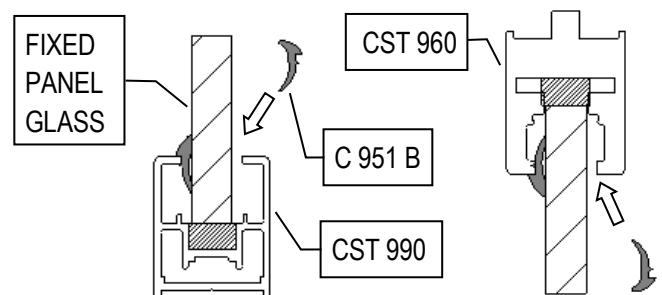
- Secure Header **CST 960** and Sill **CST 990** at each end from inside the enclosure to the **Wall Jamb CST 903**.
- Locate **Header / Sill Screws 834QO** (#8 x 3/4" Pan Head Combo Drive (Black Head)) vertically at 1/4" from the edge of the **Header** and **Sill**. Locate **Screws** horizontally at 1/4" from the walls to prevent hitting the **Fixed Panel** glass.
- Drill 9/64" pilot holes 7/8" deep at each **Screw** location.
- Increase hole size to 3/16" for **Header** only (not **Jamb**s).



STEP 13. INSERT FIXED PANEL GLAZING VINYL

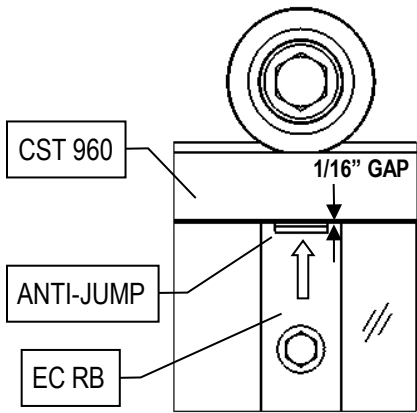


- Measure the exposed **Fixed Panel Glass** width from the **Fixed Panel Wall Jamb CST 903** to the **Sill Cover Dam CST 901**. Cut a piece of **Push-In Vinyl C 951 B** to measurement plus 1/4" (for shrinkage).
- Push the **Vinyl** into the seam between the **Sill CST 990** and the **Glass** from the outside starting at the **Wall Jamb**. When approximately half the length is inserted into the **Sill**, start from the **Sill Cover** end. Push the excess in at the center.
- Repeat on the inside of the **Sill** and at the inside and outside of the **Header CST 960**.

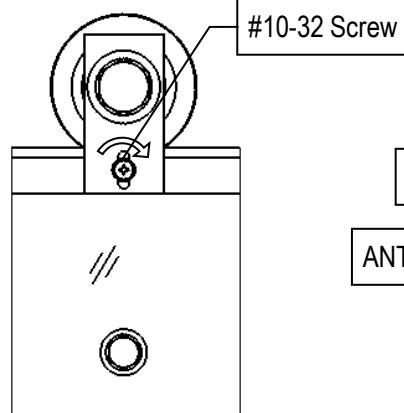


STEP 14. ADJUST ANTI-JUMP

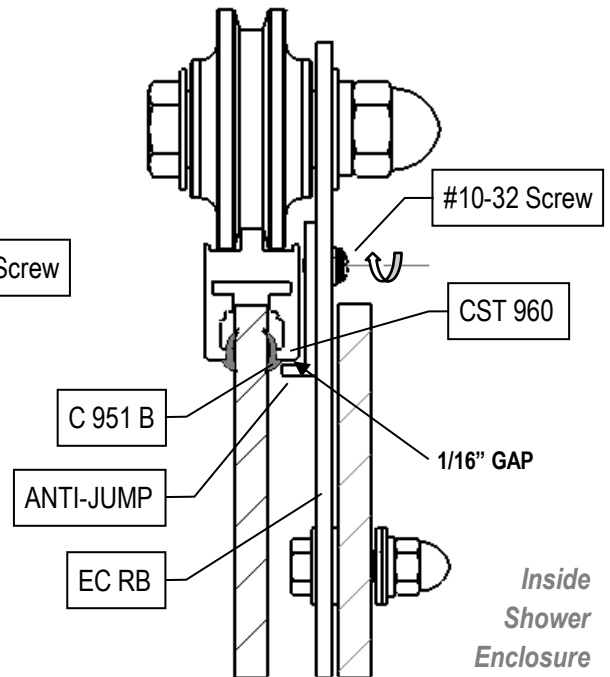
- Raise the **Anti-Jump** on the front of the **Roller Bracket EC RB** to 1/16" below the **Header CST 960** on the **Handle** side and tighten the **#10-32 Screw** in the back.
- Raise the **Anti-Jump** on the **Fixed Panel** side to 1/16" below the **Push-In Vinyl C 951 B** and tighten the **#10-32 Screw** in the back.



Outside Shower Enclosure

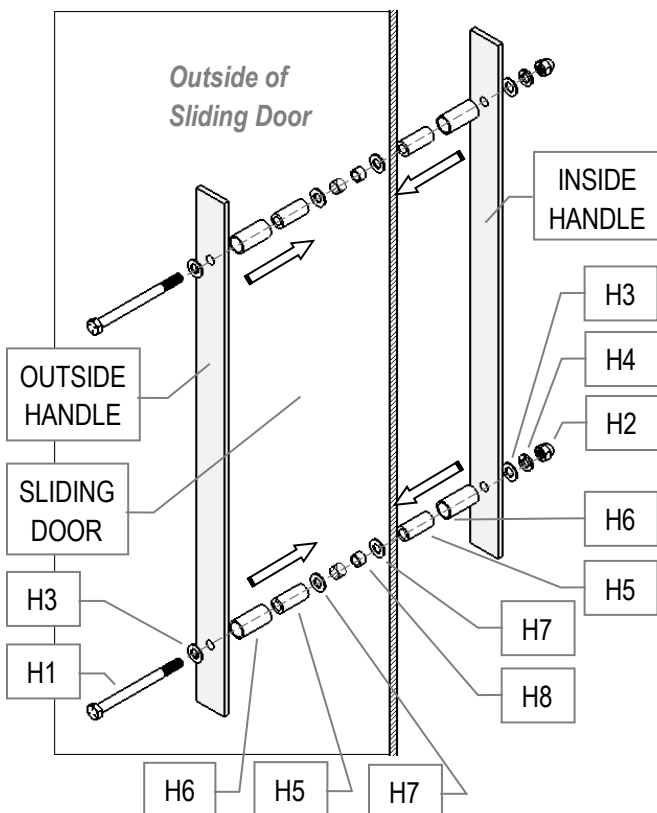


Inside Shower Enclosure



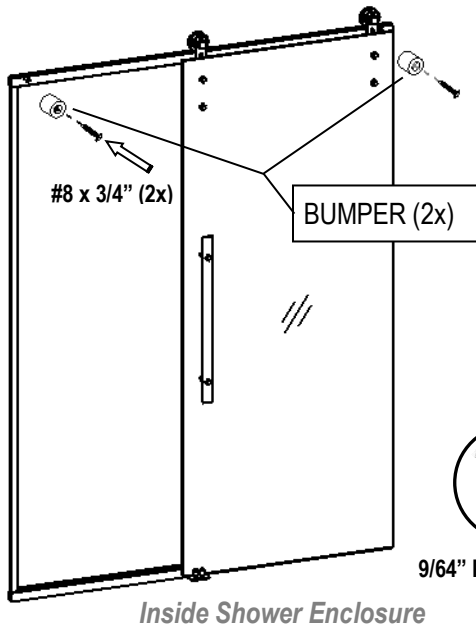
Inside Shower Enclosure

STEP 15. INSTALL DOOR HANDLE

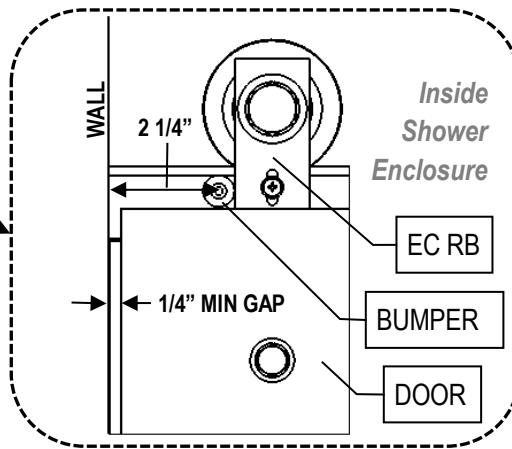
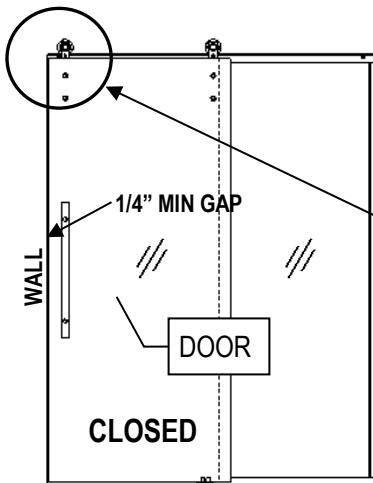
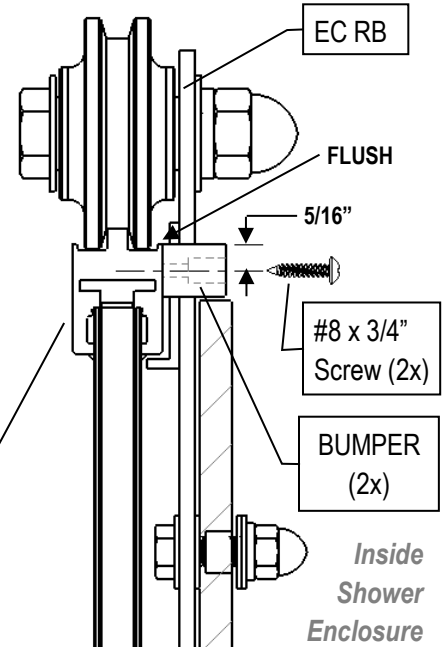


- Locate existing holes for the **Handle EC H18** on the **Sliding Door**.
- Loosen the **Cap Nuts (H2)** from the (2) **3/8" Machine Screws (H1)** on the **Handle**.
- Slip a **Metal Washer (H3)** onto each **Screw (H1)**.
- Insert a **Screw (H1)** through each hole of the **Outside Handle**. Slip a plastic **Stem Bushing (H5)** and metal **Stem (H6)** onto each **Screw (H1)**.
- For a frameless unit slip a **Plastic Washer (H7)** and a **Plastic Bushing (H8)** onto each **Screw (H1)**.
- Lift the **Outside Handle** to the outside of the **Door** and insert the **Screws (H1)** through the **Door**.
- Slip a second **Plastic Washer (H7)**, **Stem Bushing (H5)** and **Stem (H6)** onto each **Screw (H1)**.
- Insert the **Inside Handle** onto the **Screws (H1)**.
- Slip a second **Metal Washer (H3)** onto each **Screw (H1)**. Slip a **Split Locking Washer (H4)** onto each **Screw (H1)**.
- Set a **Cap Nut (H2)** on each **Screw (H1)** and check that the **Handle** is aligned with the edge of the **Sliding Door**. Tighten the **Cap Nuts (H2)** until the **Lock Washer (H4)** is flattened.

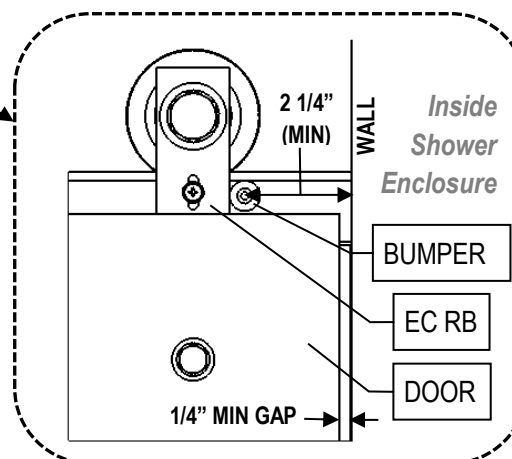
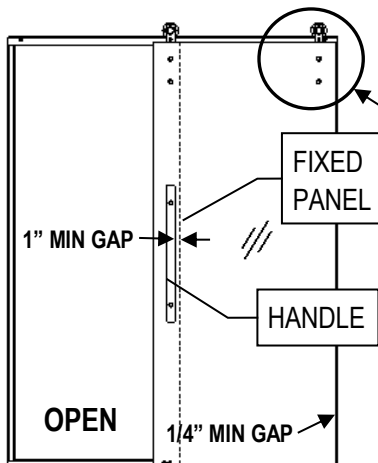
STEP 16. INSTALL DOOR BUMPERS



- Sliding Door movement halts when the **Roller Brackets EC RB** stop against **Door Bumpers CP5834B** installed on the inside of the **Header CST 960**.
- Locate **Door Bumpers** vertically as flush with the top edge of the **Header** (center at 5/16" from the top of the **Header**).
- Locate **Door Bumpers** horizontally as detailed below.

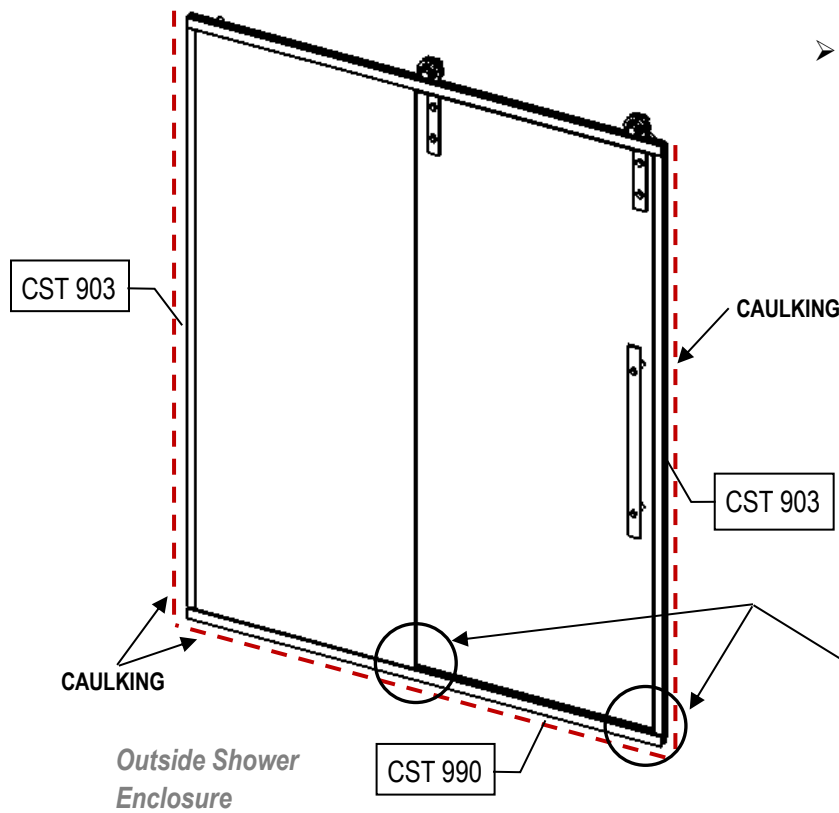


- Close the **Door** with a minimum 1/4" gap from the **Door** to the wall.
- Place the first **Bumper** on the back of the **Header** against the **Handle-side Roller Bracket EC RB**.
- Mark hole location on the **Header** (at about 2 1/4" from the wall).
- Drill 9/64" pilot hole 5/8" deep.
- Secure **Bumper** with **#8 x 3/4" Screw** (Black Head).

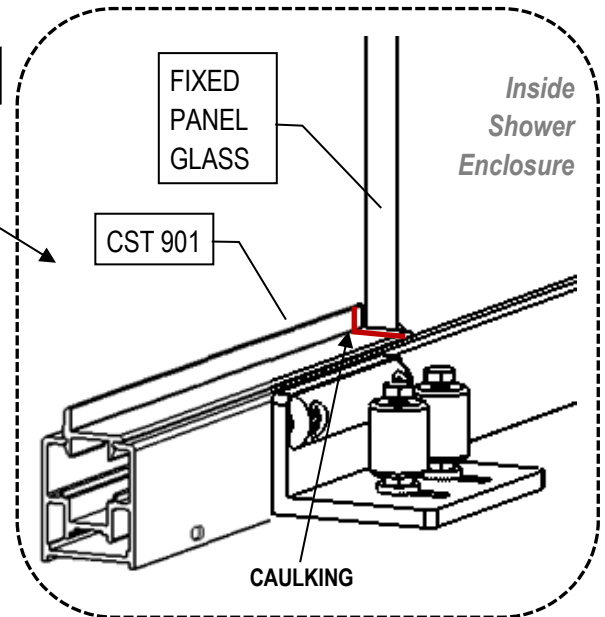


- Open the **Door** with a minimum 1" gap from the **Handle EC H18** to the **Fixed Panel**. Also minimum 1/4" gap from **Door** to the wall.
- Place the second **Bumper** on the back of the **Header** against the **Panel-side Roller Bracket EC RB**.
- Mark hole location on the **Header** (at minimum 2 1/4", more for large openings with a wider fixed panel).
- Drill 9/64" pilot hole 5/8" deep.
- Secure **Bumper** with **#8 x 3/4" Screw** (Black Head).

STEP 17. SEAL UNIT EXTERIOR



- To complete the installation, run a bead of clear (or matching color) mildew resistant caulking around the outside perimeter of the shower at the **Sill CST 990** and the **Wall Jamb CST 903**.



- Caulk the crevices where the **Sill Cover Dam CST 901** meets the **Fixed Panel Glass** and **Door Jamb Cover CST 964**.
- Follow the caulking manufacturer's instructions before using the shower.