

PREPARATION

Approximate Installation Time:

90 minutes

Tools Required for Installation:

- Chop Saw or Hacksaw
- Electric Drill
- 3/16" Masonry Drill Bit
- 3/16" Metal Drill Bit
- 9/64" Metal Drill Bit
- Philips Bit
- Pencil / Felt Tip Pen
- Safety Glasses
- Pliers
- Measuring Tape
- Masking Tape
- Philips Screw Driver
- 9/16" Wrench
- 5/8" Wrench
- Level
- Rubber Mallet
- Clear Caulking or Sealant

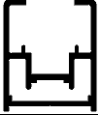

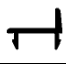

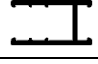
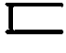


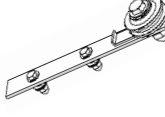
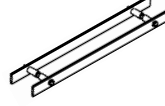
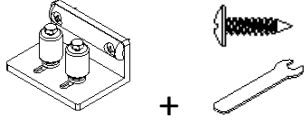






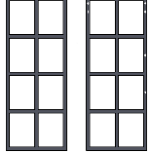
QUESTIONS

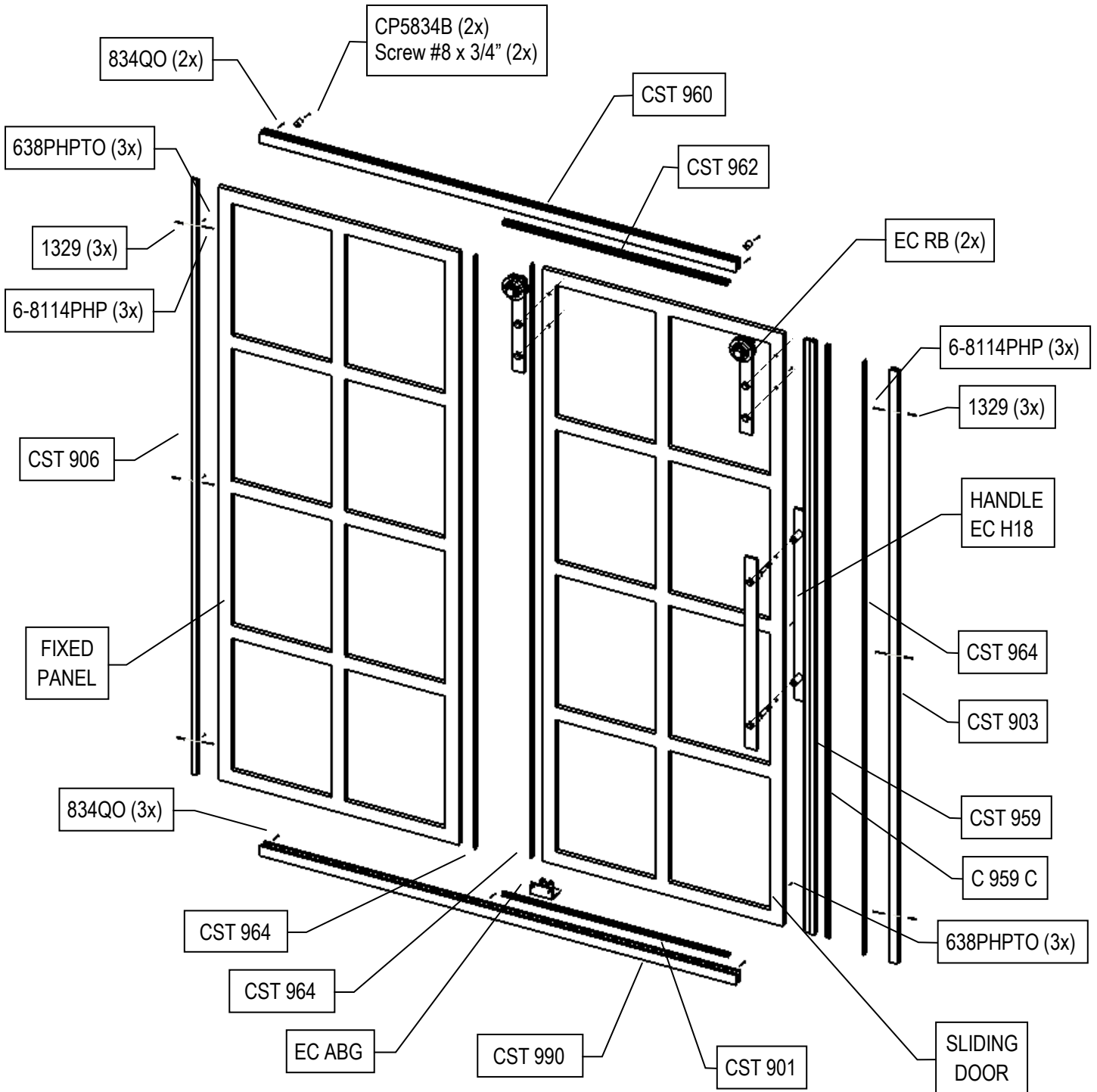


Before beginning installation of product, make sure all parts are present. Compare parts with package contents list and diagram below. Grid appearance may differ from images shown. If any part is missing or damaged, do not attempt to install the product.

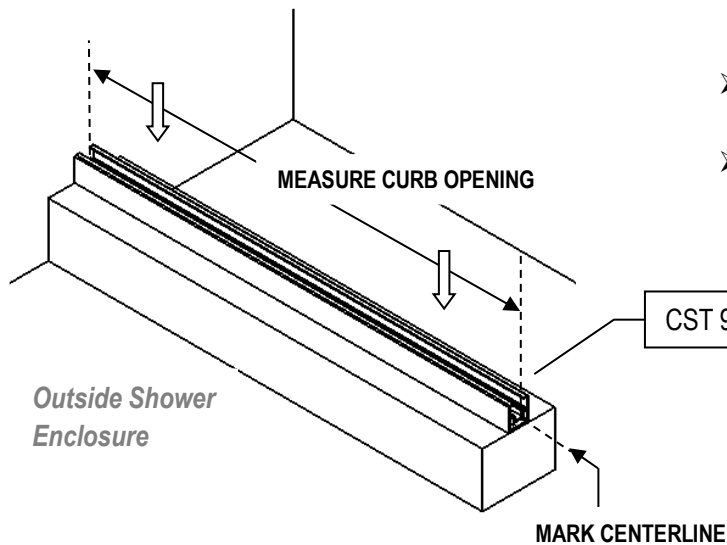
Please call our customer service department at 1-800-874-8601, 8 am - 5 pm EST, Monday to Friday.

PACKAGE CONTENTS

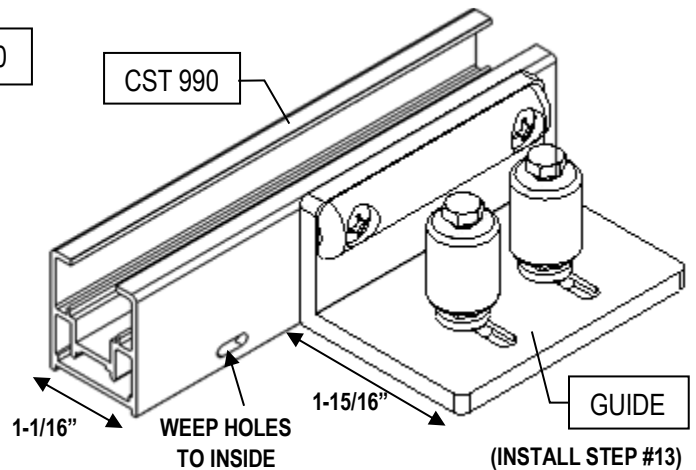
| | | | |
|---|-----------|---|-------|
|  | CST 990 | Sill | 1 |
|  | CST 960 | Header | 1 |
|  | CST 901 | Sill Cover Dam | 1 |
|  | CST 962 | Header Cover | 1 |
|  | CST 903 | Door Wall Jamb | 1 |
|  | CST 906 | Fixed Panel Wall Jamb | 1 |
|  | CST 964 | Fixed Panel / Door / Jamb Cover | 3 |
|  | CST 959 | Door Strike Stile | 1 |
|  | EC RB | Roller Bracket Assembly | 2 |
|  | EC H18 | 18" CC Back-to-Back Door Handle | 1 |
|  | EC ABG | Adjustable Bottom Guide (with Hex Wrench and 2x Screw #8 x 5/8") | 1 |
|  | CP5834B | Door Bumper (each with 1x Screw #8 x 3/4") | 2 |
|  | 1329 | Plastic Screw Anchor | 6 |
|  | 6-8114PHP | Installation Screw (#8 x 1-1/4") | 6 |
|  | 834QO | Header / Sill Screw (#8 x 3/4") | 5 |
|  | 638PHPTO | Panel Adjustment Screw (#6 x 3/8") | 6 |
|  | C 959 C | Door Bubble Seal | 1 |
|  | - | Sliding Door and Fixed Panel Assemblies | 1 + 1 |



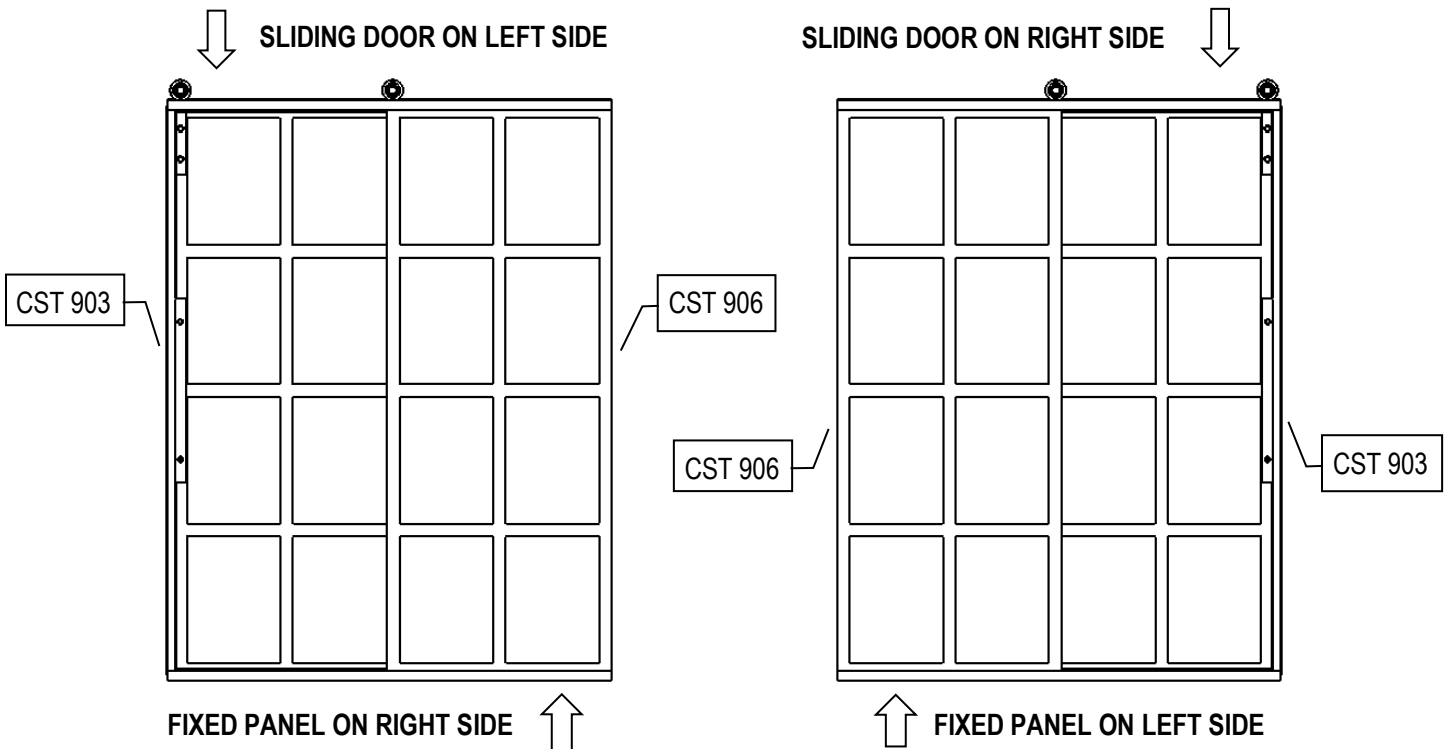
STEP 1. TRIM AND POSITION SILL ON CURB CENTERLINE



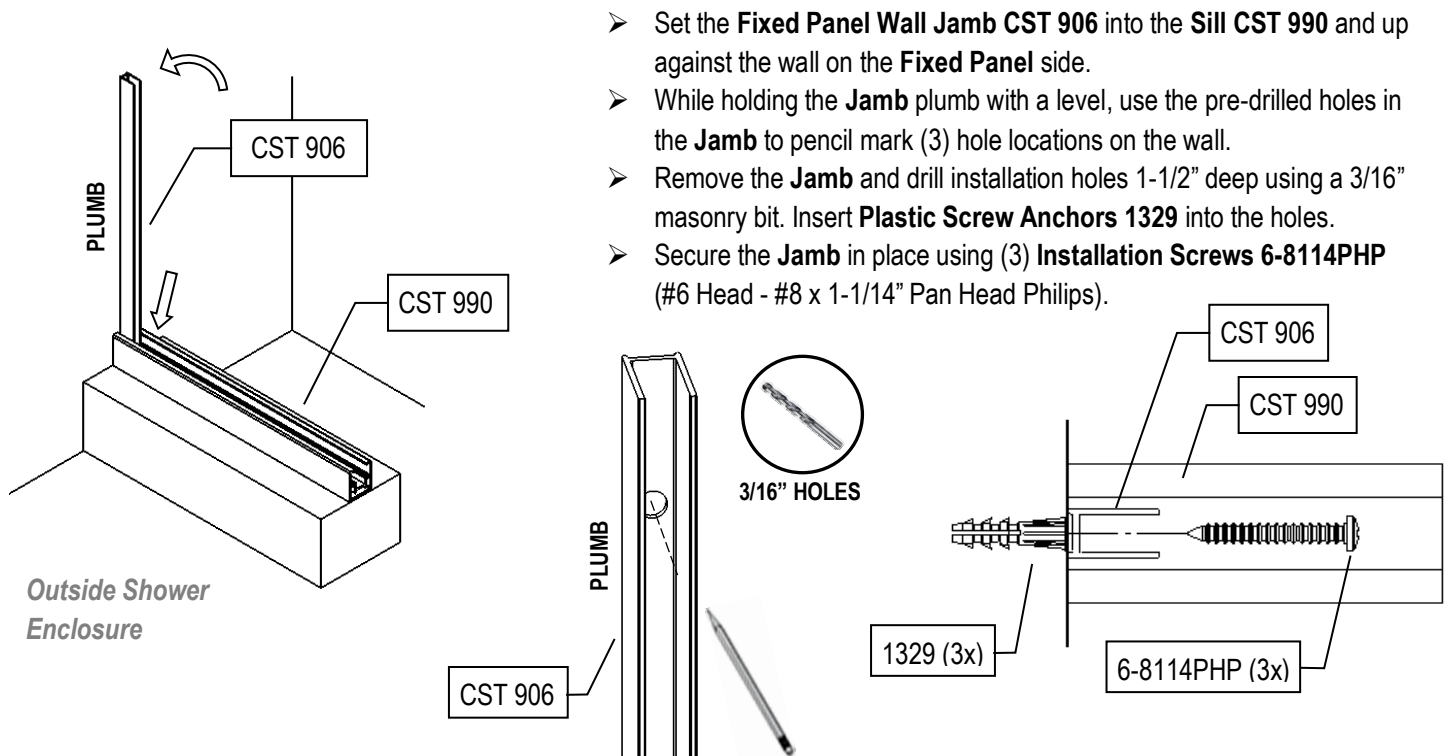
- Strike a centerline on the curb where the **Sill CST 990** will sit. The **Sliding Door** is to the inside of the unit. The **Bottom Guide EC ABG** attaches inside the **Sill**, about 2" deep.
- Measure the opening at the curb along the centerline. Trim the **Sill** (with weep holes) to fit.
- Position and center the **Sill** on the centerline with the weep holes to the inside of the shower enclosure. Temporarily tape in place to prevent movement.



STEP 2. IDENTIFY DOOR AND FIXED PANEL LOCATION

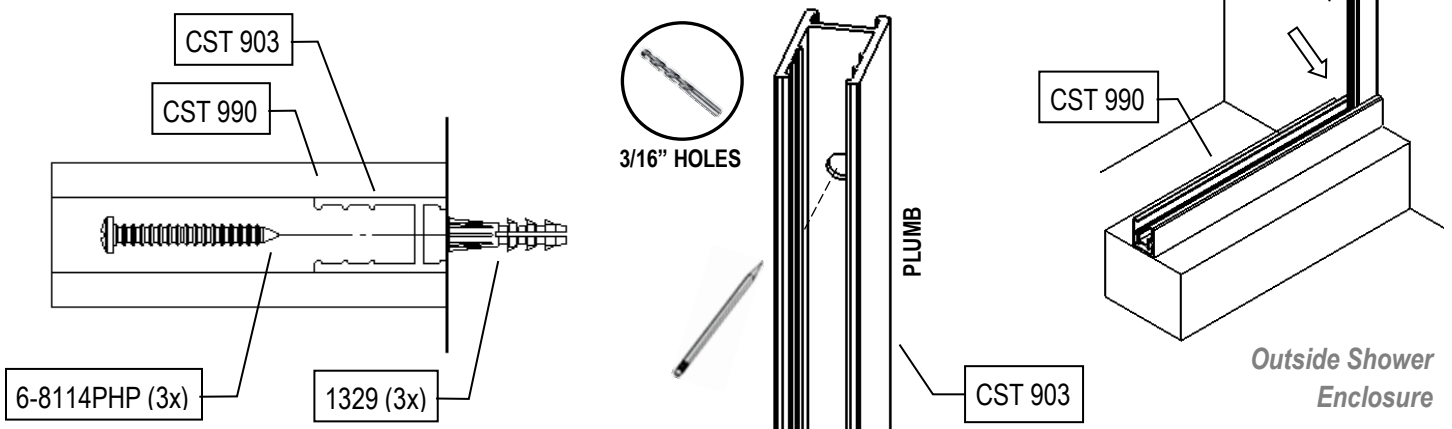


STEP 3. INSTALL FIXED PANEL WALL JAMB

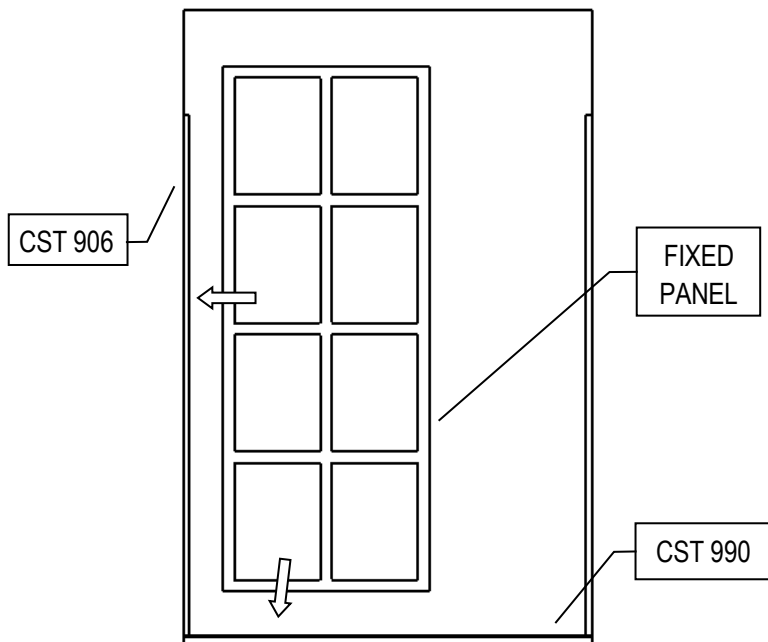


STEP 4. INSTALL DOOR WALL JAMB

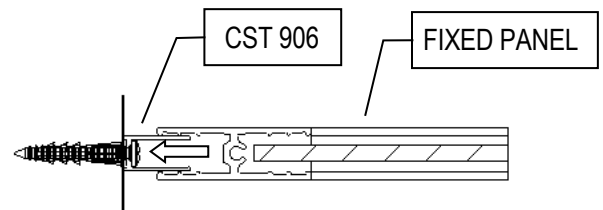
- Set the **Door Wall Jamb CST 903** into the **Sill CST 990** and up against the wall on the **Sliding Door** side.
- While holding the **Jamb** plumb with a level, use the pre-drilled holes in the **Jamb** to pencil mark (3) hole locations on the wall.
- Remove the **Jamb** and drill installation holes 1-1/2" deep using a 3/16" masonry bit. Insert **Plastic Screw Anchors 1329** into the holes.
- Secure the **Jamb** in place using (3) **Installation Screws 6-8114PHP** (#8 x 1-1/4").



STEP 5. SET FIXED PANEL

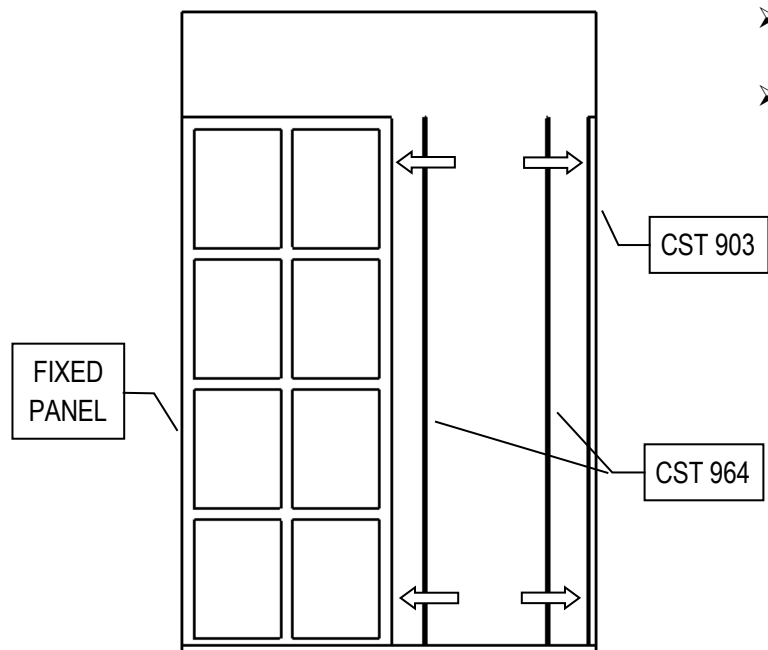


- Set the **Fixed Panel** into the **Sill CST 990** and push it onto the **Fixed Panel Wall Jamb CST 906** until the **Panel** is tight against the **Jamb**.
- For an enclosure with **Satin Glass**, the **Satin** side is to the outside. For **Glass** treated with **Coastal Clarity**, the treated side is to the inside.

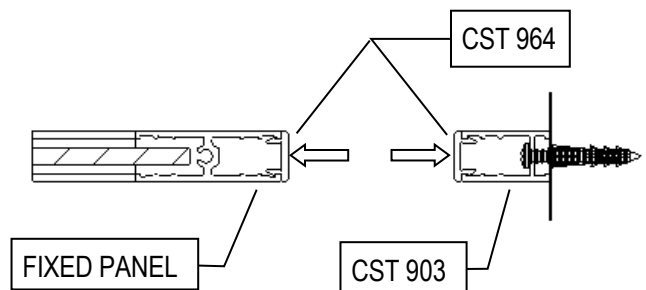


Outside Shower Enclosure

STEP 6. INSERT FIXED PANEL COVER AND DOOR JAMB COVER

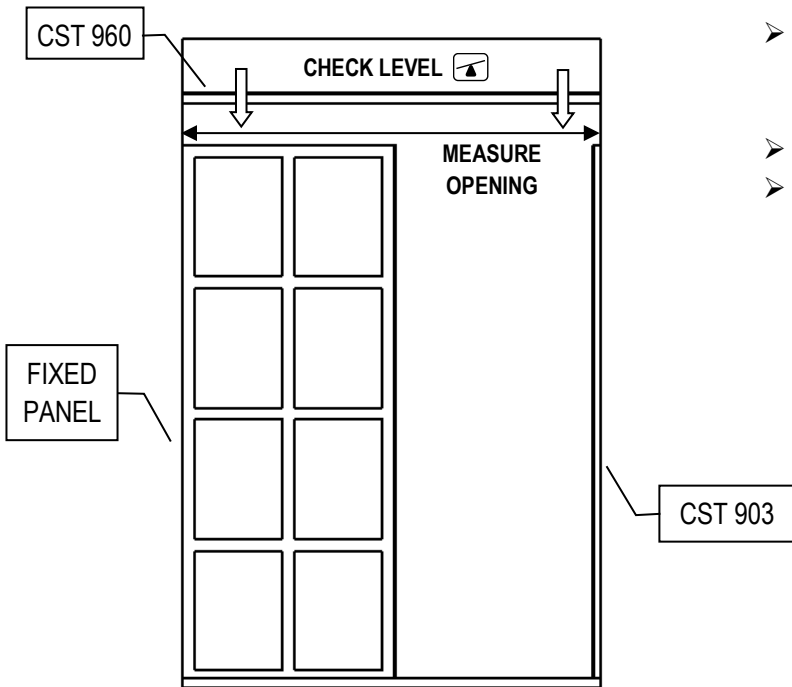


- Snap (1) **Fixed Panel / Door Jamb Cover CST 964** into the open edge of the **Fixed Panel**
- Snap (1) **Cover** into the **Door Wall Jamb CST 903**.

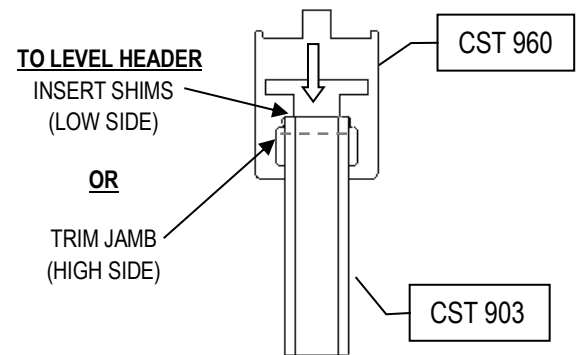


Outside Shower Enclosure

STEP 7. TRIM AND INSTALL HEADER

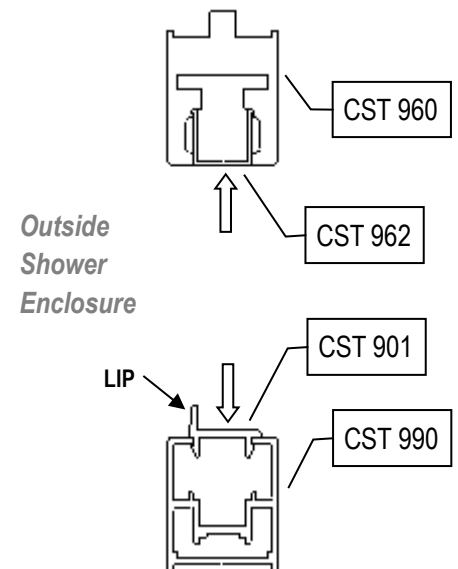
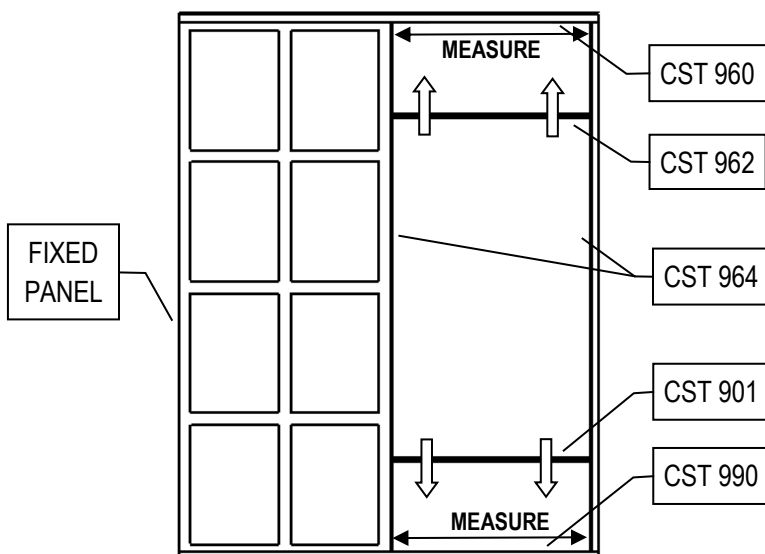


- Measure the finish-to-finish shower opening above the **Door Wall Jamb CST 903** and the **Fixed Panel**. Trim the **Header CST 960** to fit.
- Set the **Header** over the **Jamb** and **Fixed Panel**.
- Check if the **Header** is level. If not level, make level by:
 - (A) Trim the **Jamb** on the high side. OR
 - (B) Insert Shim(s) between the **Header** and the **Jamb** or **Fixed Panel** on the low side.

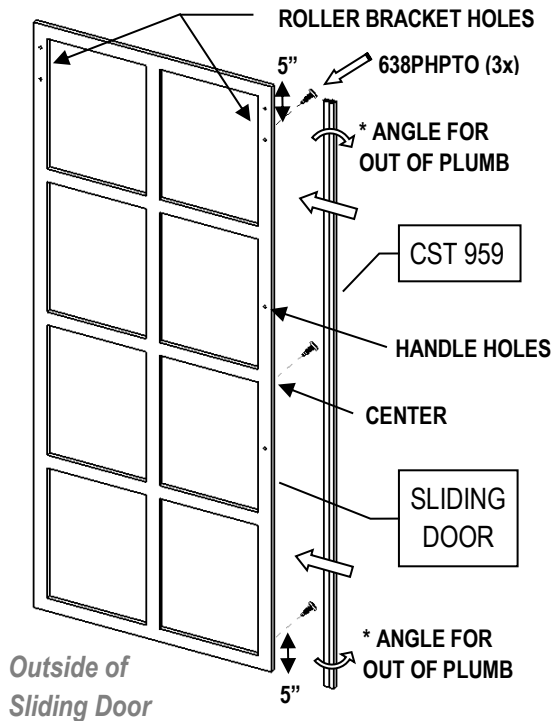


STEP 8. TRIM AND INSTALL HEADER COVER AND SILL COVER

- Measure between the **Fixed Panel / Door Jamb Covers CST 964** at the **Header CST 960**. Trim the **Header Cover CST 962** to the measurement obtained.
- Snap the **Header Cover** into the **Header**. Spread the U-Channel legs wider apart for a tighter fit if required.
- Measure between the **Covers CST 964** at the **Sill CST 990**. Trim **Sill Cover Dam CST 901** to the measurement obtained.
- Snap the **Sill Cover** into the **Sill** with the lip toward the outside of the enclosure.

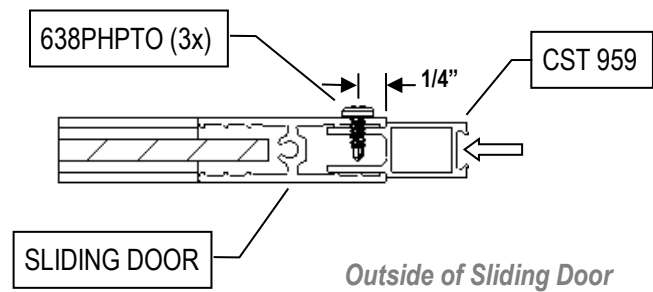


STEP 9. INSTALL DOOR STRIKE STILE

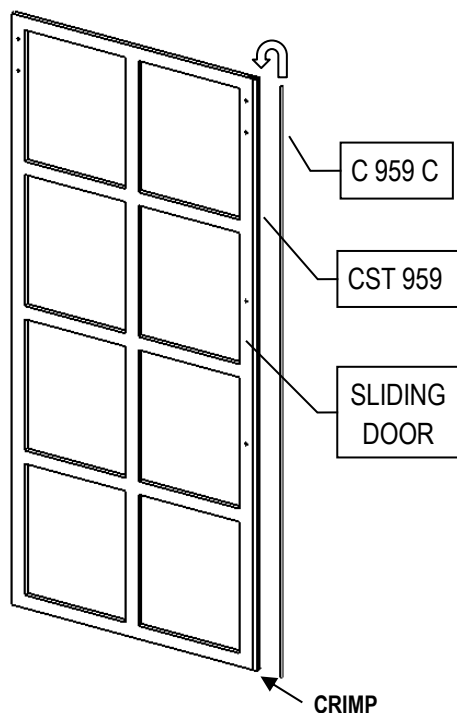


* Check for out of plumb on the door opening wall. Install Strike Stile CST 959 at an angle to compensate for up to 3/16" out of plumb.

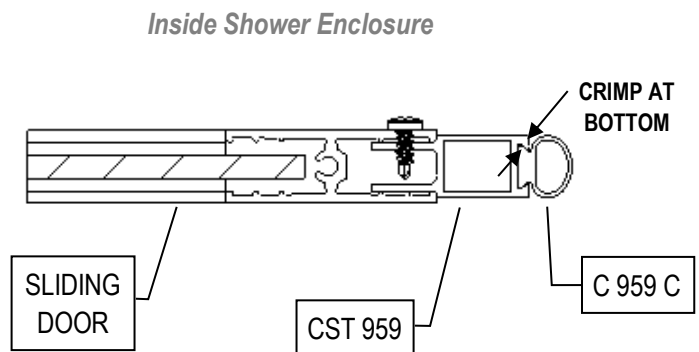
- Orient the **Sliding Door** as it would be installed. The top of the **Door** is drilled for the **Roller Bracket EC RB** and the left or right side is drilled for the **Handle EC H18**.
- Insert the **Door Strike Stile CST 959** into the side of the **Door** with the **Handle** holes. Make flush at the top.
- Secure the **Strike Stile** to the **Door** with (3) self-drilling **Panel Adjustment Screws 638PHPTO** (#6 x 3/8" Pan Head Philips Tek (Black Head)) at top, middle, and bottom from the inside of the **Door**. Locate **Screws** horizontally at 1/4" from the edge of the **Door**. Locate **Screws** vertically at 5" from the top and bottom of the **Door**.



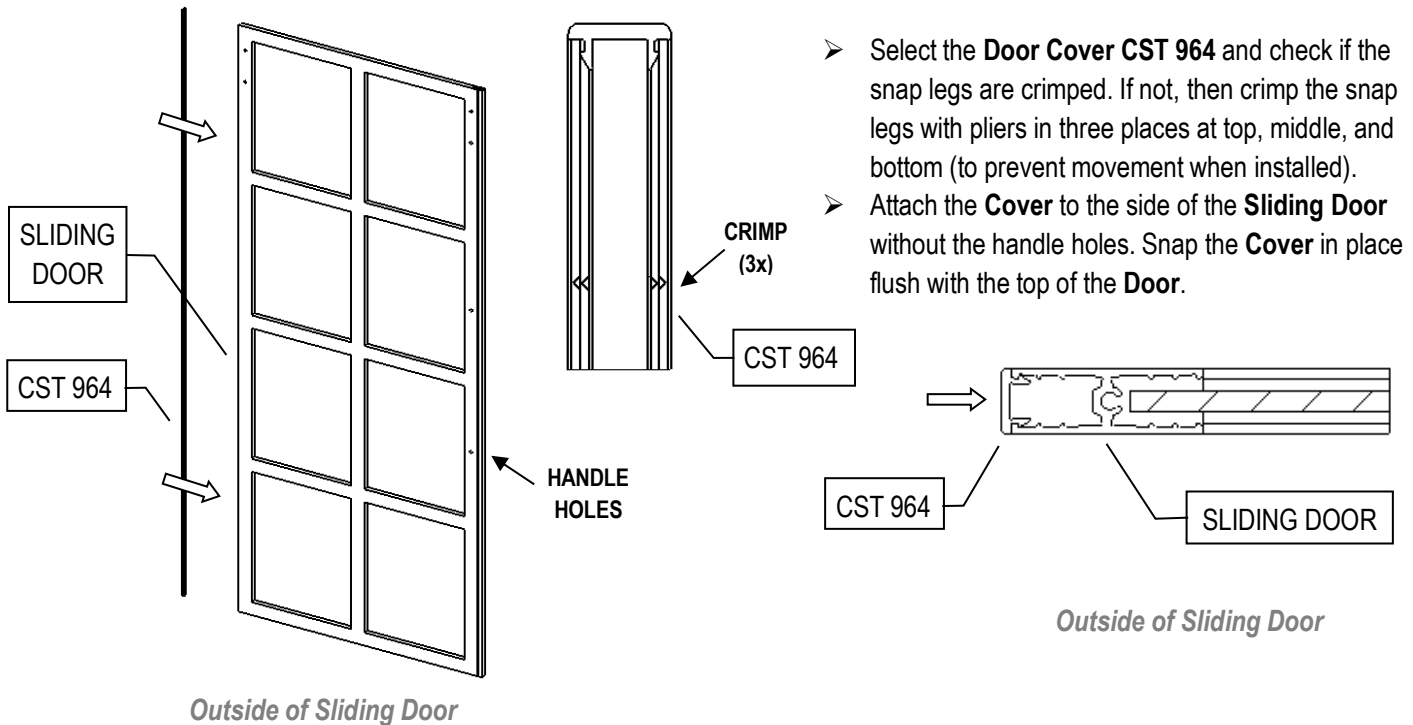
STEP 10. INSTALL DOOR BUBBLE SEAL



- Slide the **Door Bubble Seal C 959 C** into the **Door Strike Stile CST 959**. Make flush at the top.
- Crimp the **Strike Stile** at the bottom to keep the **Bubble Seal** from sliding out.



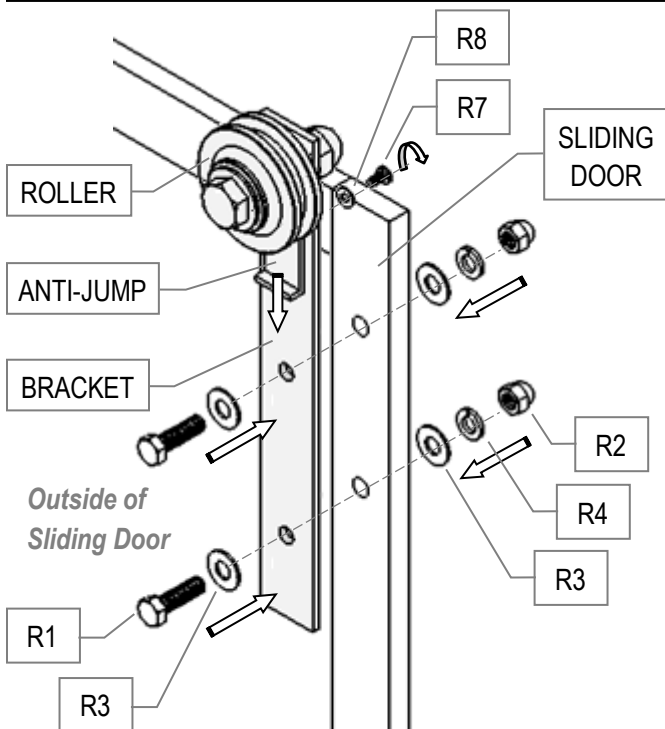
STEP 11. INSTALL DOOR COVER



- Select the **Door Cover CST 964** and check if the snap legs are crimped. If not, then crimp the snap legs with pliers in three places at top, middle, and bottom (to prevent movement when installed).
- Attach the **Cover** to the side of the **Sliding Door** without the handle holes. Snap the **Cover** in place flush with the top of the **Door**.

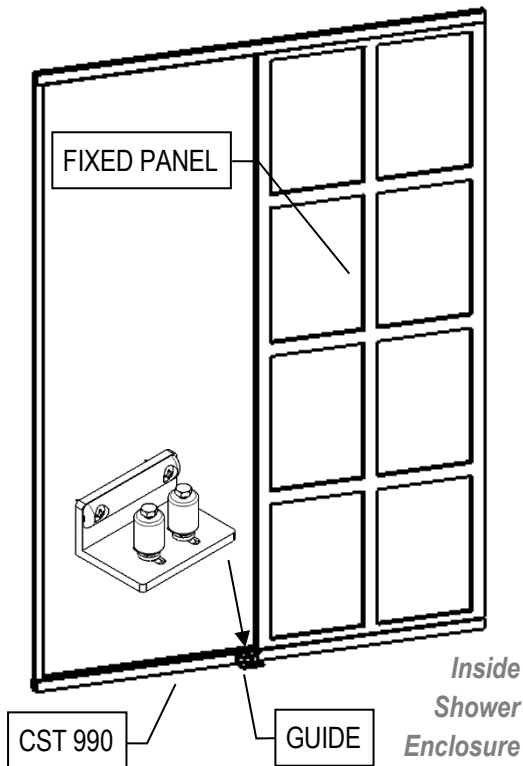
Outside of Sliding Door

STEP 12. INSTALL ROLLER BRACKETS TO SLIDING DOOR

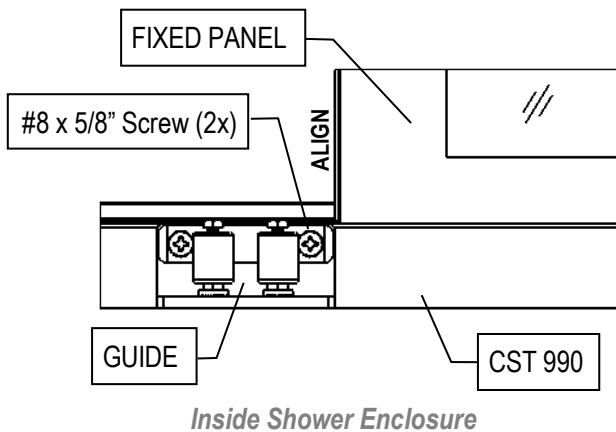
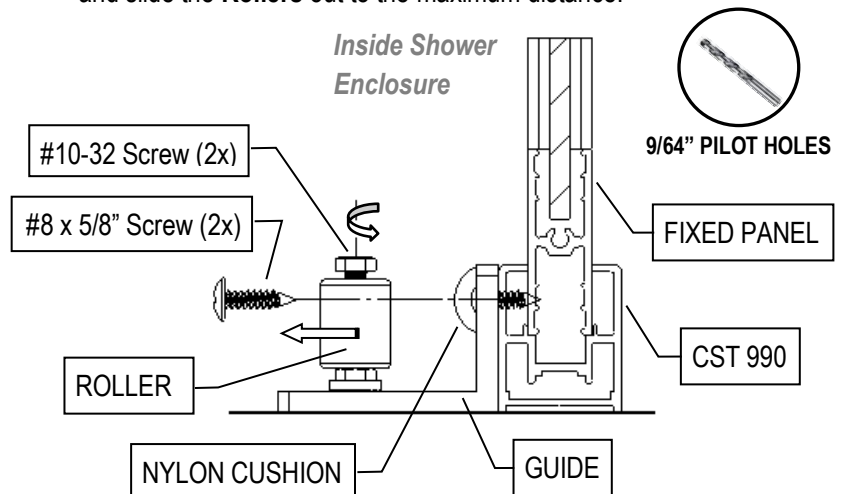


- Locate existing holes at the top of the **Sliding Door** for the **Roller Brackets EC RB**.
- Loosen the **Cap Nuts (R2)** from the (2) **3/8" Hex Machine Screws (R1)** on the **Roller Bracket**.
- For a framed unit, discard the (2) **Plastic Washers (R5)** and the clear **Plastic Bushing (R6)** from each **Screw (R1)**.
- Slip a **Metal Washer (R3)** onto each **Screw (R1)**.
- Place the **Bracket** against the outside of the **Door** with the **Roller** facing towards the outside.
- Insert the **Screws (R1)** through the **Bracket** and then the **Door** from the outside of the **Door**.
- Slip a second **Metal Washer (R3)** onto each **Screw (R1)**. Slip a **Split Locking Washer (R4)** onto each **Screw (R1)**.
- Set a **Cap Nut (R2)** on each **Screw (R1)** and check that the **Bracket** is aligned with the edge of the **Sliding Door**. Tighten the **Cap Nuts (R2)** until the **Lock Washer (R4)** is flattened.
- Partially loosen the **#10-32 Screw (R7)** holding the **Anti-Jump**.
- Repeat for the second **Roller Bracket**.

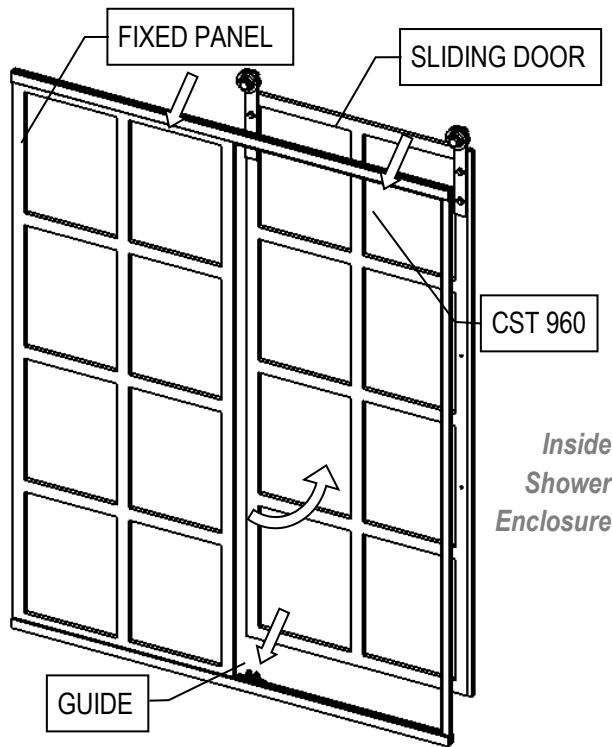
STEP 13. INSTALL DOOR GUIDE



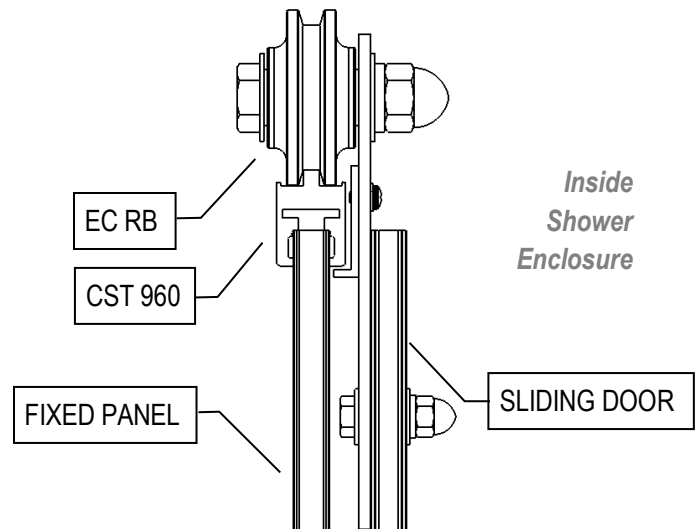
- Place the **Bottom Guide EC ABG** against the inside of the **Sill CST 990** and 1" from the edge of the **Fixed Panel**. Mark hole locations on the back of the **Sill**.
- Remove the **Guide** and drill $\frac{9}{64}$ " pilot holes $\frac{3}{4}$ " deep.
- Set the **Guide** back in place with the **Nylon Cushion** over the holes and secure in place using (2) **#8 x 5/8" Screws** (Black Head).
- Partially loosen the **#10-32 Hex Screws** holding the **Rollers** in place and slide the **Rollers** out to the maximum distance.



STEP 14. HANG SLIDING DOOR

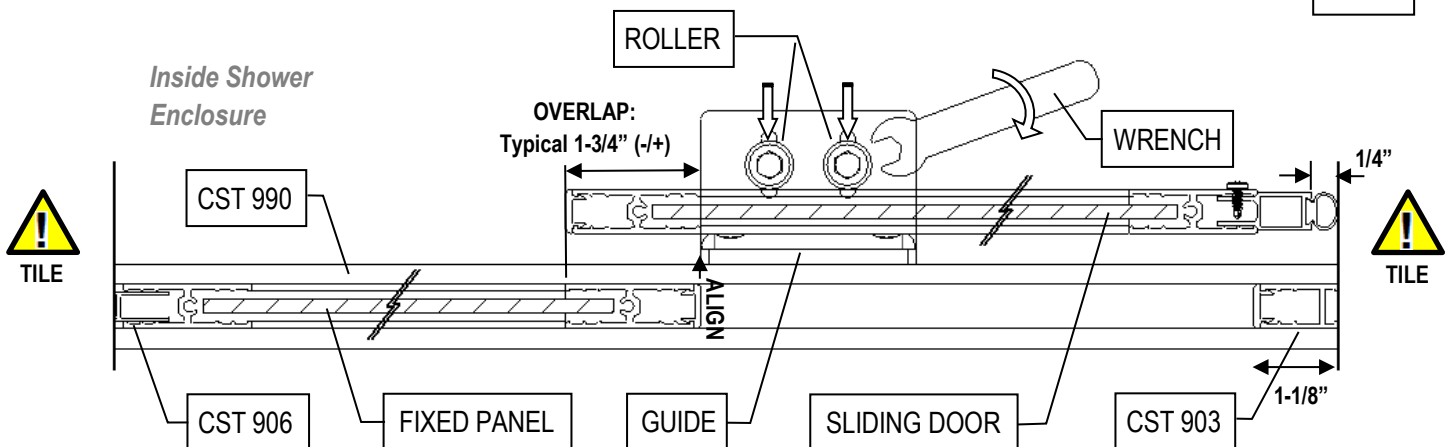
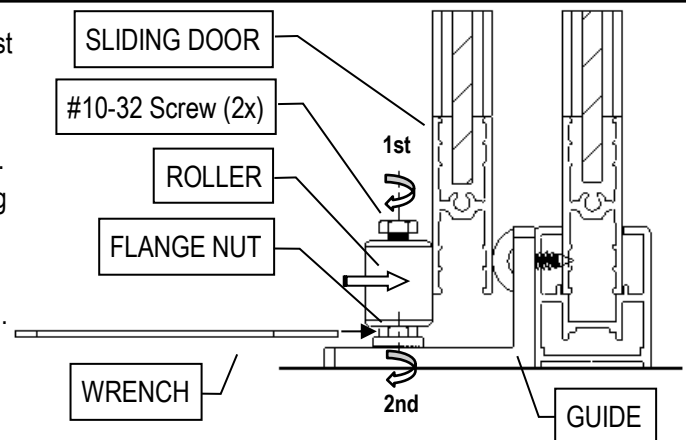


- Bring the **Sliding Door** inside the shower enclosure with the **Roller Brackets EC RB** facing to the outside of the enclosure. (Remove the **Header CST 960** temporarily for easier access.)
- Lift the **Door**, tilt the bottom into the **Bottom Guide EC ABG**, and set the **Rollers** onto the track on top of the **Header**.

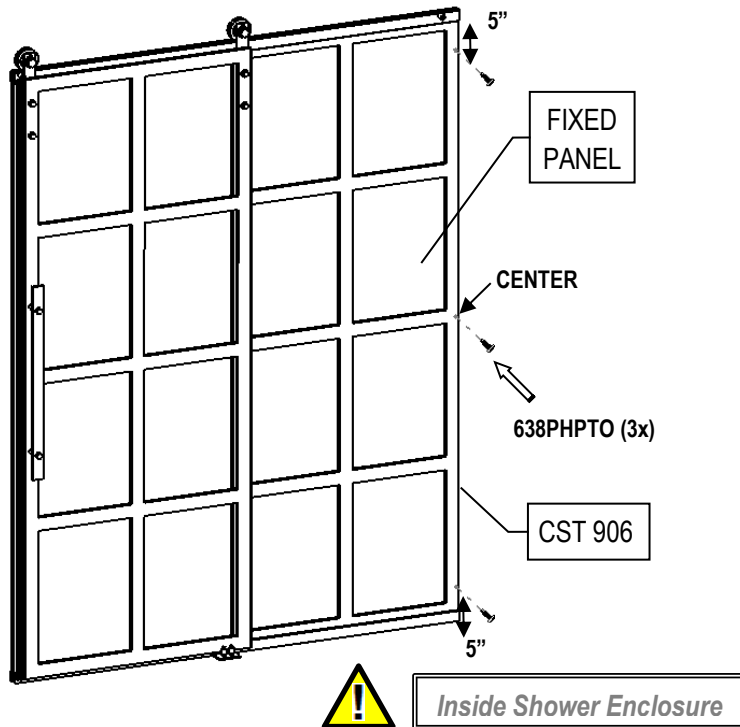


STEP 15. ADJUST BOTTOM GUIDE AND CHECK DOOR OPERATION

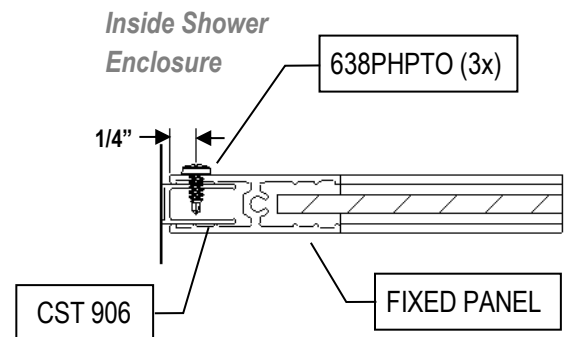
- Push the **Rollers** on the **Bottom Guide EC ABG** tight against the **Sliding Door**. Tighten the **#10-32 Hex Screws** until they stop against the floor. Then use the **Hex Wrench** provided with the **Guide** to tighten the **Flange Nuts** under the **Rollers**.
- Open and close the **Sliding Door** to make sure it is operating properly. **Header CST 960** should be level so that the **Door** does not roll unless pushed.
- **CAUTION:** Handle **Door** carefully until Bumpers are installed. Do not slam **Door** into tile wall!



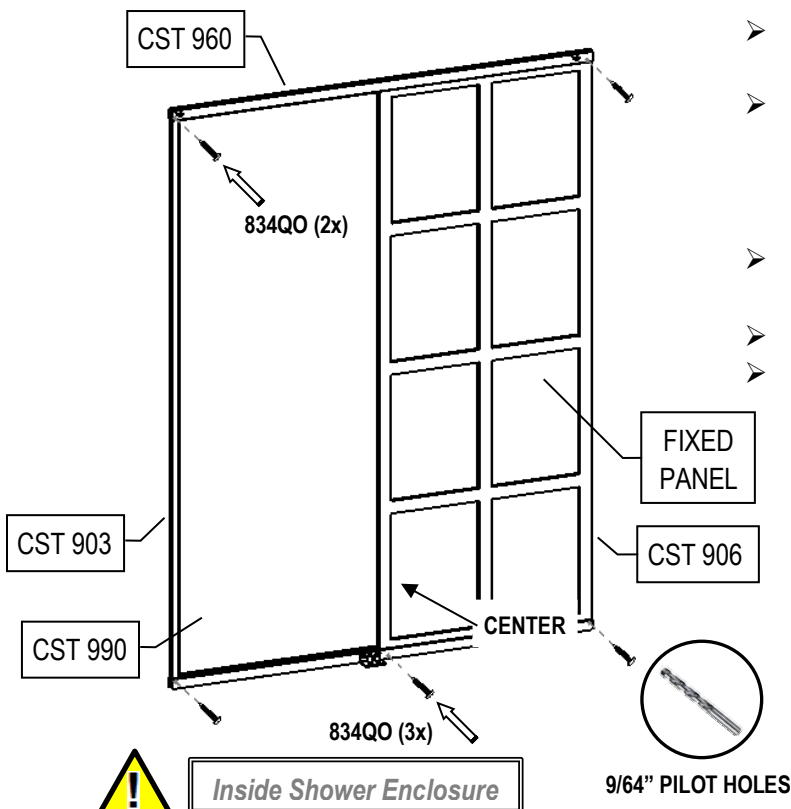
STEP 16. SECURE FIXED PANEL



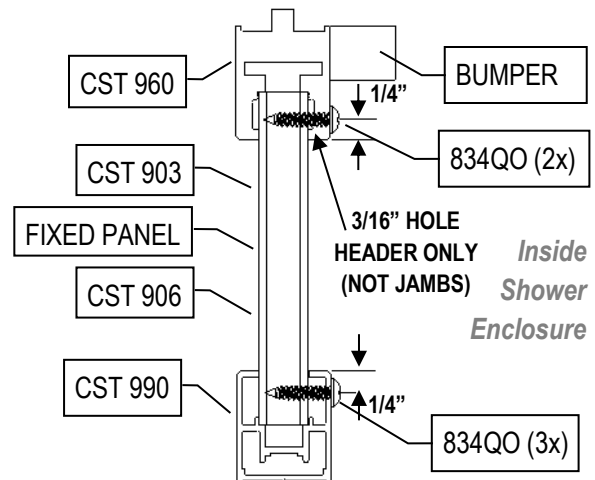
- When satisfied with unit operation, secure the **Fixed Panel** to the **Fixed Panel Wall Jamb CST 906** from inside the enclosure.
- Locate (3) self-drilling **Panel Adjustment Screws 638PHPTO** (#6 x 3/8" Pan Head Philips Tek (Black Head)) horizontally at 1/4" from the edge of the **Panel**. Locate **Screws vertically** at 5" from the top and bottom of the **Panel** and at center.



STEP 17. SECURE HEADER AND SILL

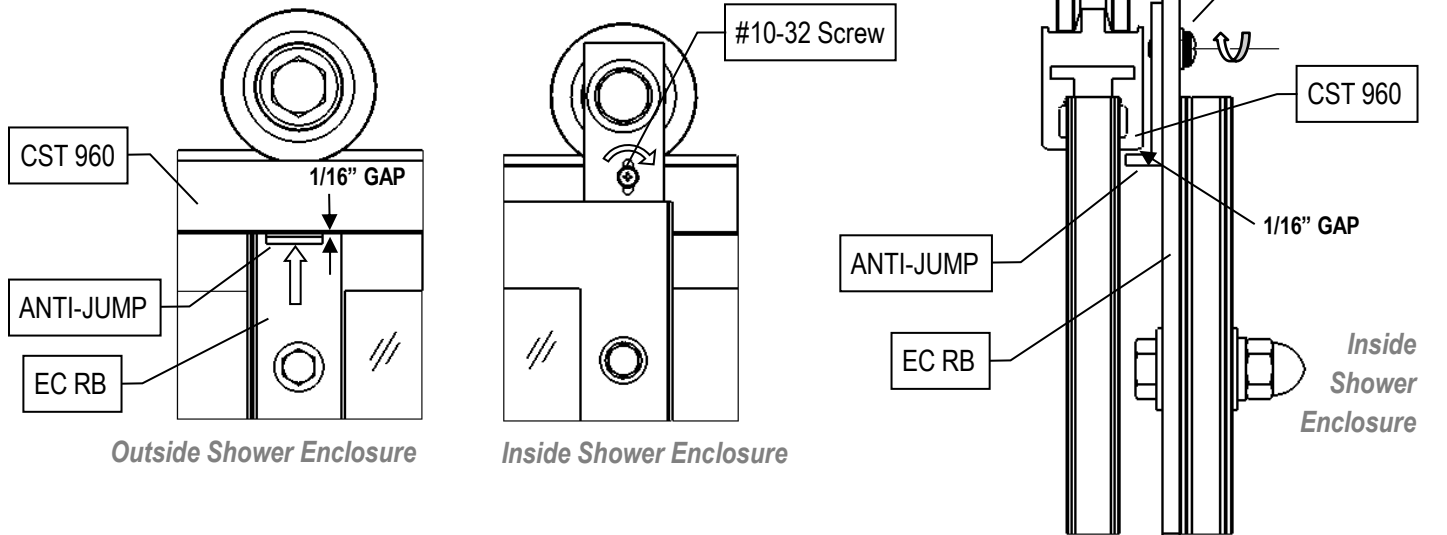


- Secure **Header CST 960** and **Sill CST 990** at each end from inside the enclosure to **Wall Jamba CST 903** and **CST 906**.
- Locate **Header / Sill Screws 834QO** (#8 x 3/4" Pan Head Combo Drive (Black Head)) vertically at 1/4" from the edge of the **Header** and **Sill**. Locate **Screws** horizontally at 1/4" from the from the **Fixed Panel** and **Door Jamb** edges.
- Secure the **Fixed Panel** to the **Sill** with an additional **Screw** at the center, 1/4" from the edge of the **Panel**.
- Drill 9/64" pilot holes 7/8" deep at each **Screw** location.
- Increase hole size to 3/16" for **Header** only (not **Jamba**).

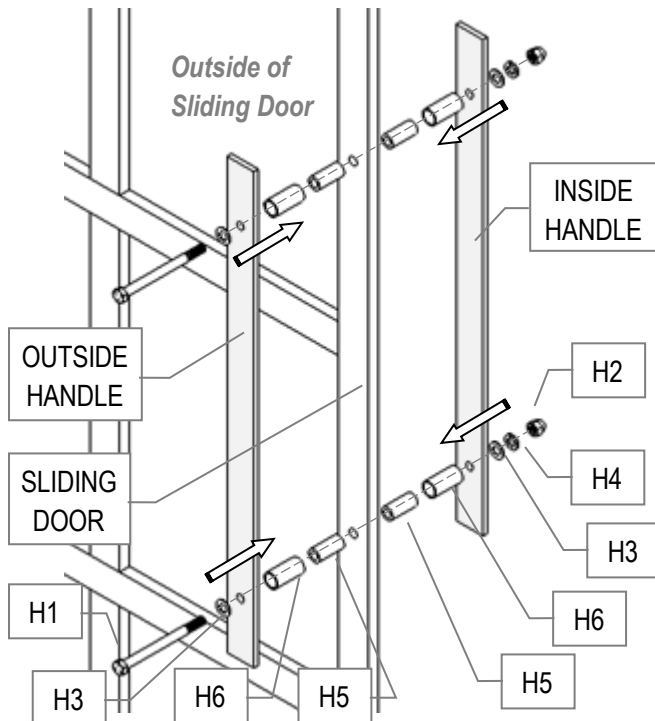


STEP 18. ADJUST ANTI-JUMP

- Raise the **Anti-Jumps** on the front of the **Roller Brackets EC RB** to 1/16" below the **Header CST 960** and tighten the **#10-32 Screws** in the back.

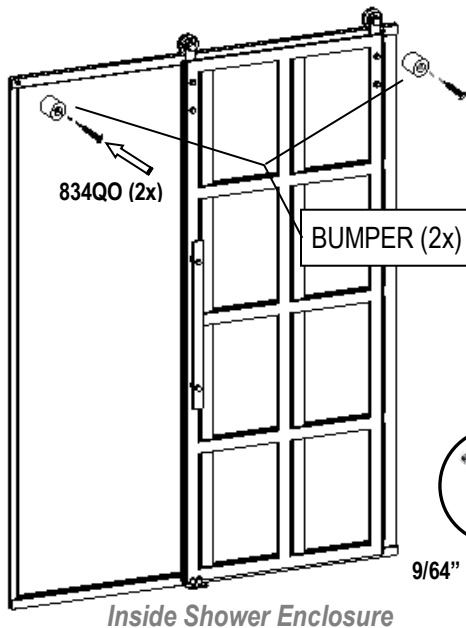


STEP 19. INSTALL DOOR HANDLE

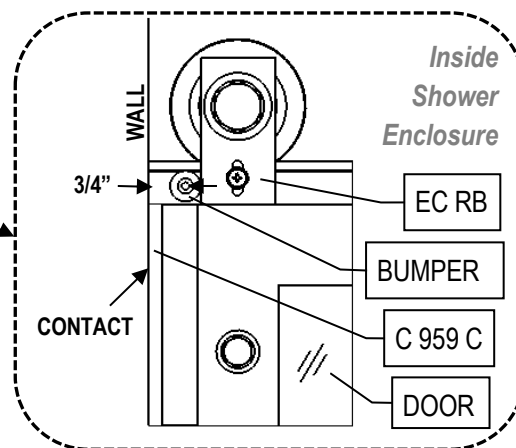
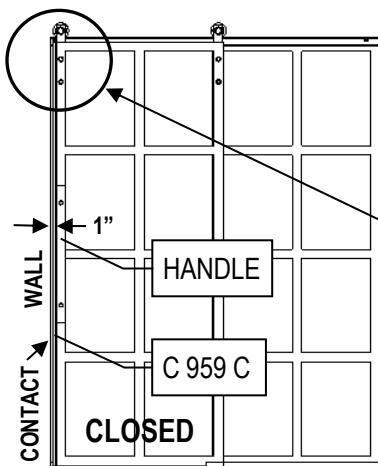
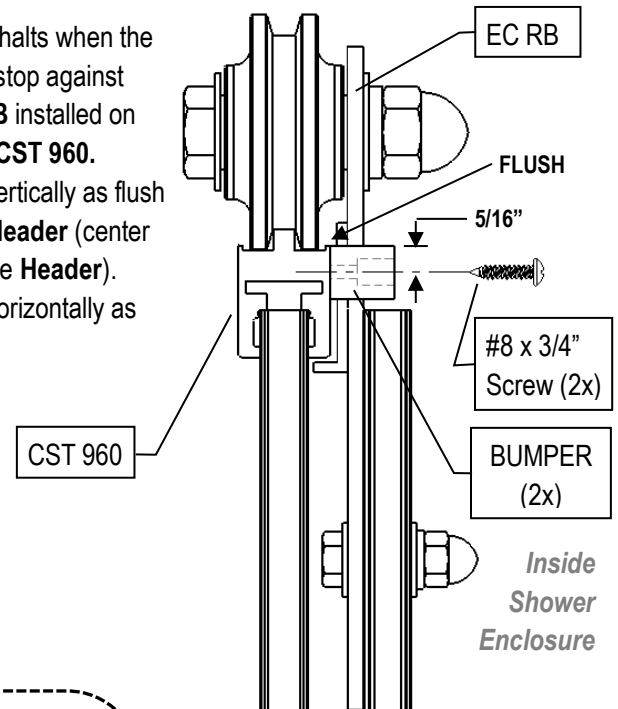


- Locate existing holes for the **Handle EC H18** on the **Sliding Door**.
- Loosen the **Cap Nuts (H2)** from the (2) **3/8" Hex Machine Screws (H1)** on the **Handle**.
- For a framed unit, discard the (2) **Plastic Washers (H7)** and the clear **Plastic Bushing (H8)** from each **Screw (H1)**.
- Slip a **Metal Washer (H3)** onto each **Screw (H1)**.
- Insert a **Screw (H1)** through each hole of the **Outside Handle**. Slip a plastic **Stem Bushing (H5)** and metal **Stem (H6)** onto each **Screw (H1)**.
- Lift the **Outside Handle** to the outside of the **Door** and insert the **Screws (H1)** through the **Door**.
- Slip a second **Stem Bushing (H5)** and **Stem (H6)** onto each **Screw (H1)**. Slip the **Inside Handle** onto the **Screws (H1)**.
- Slip a second **Metal Washer (H3)** onto each **Screw (H1)**. Slip a **Split Locking Washer (H4)** onto each **Screw (H1)**.
- Set a **Cap Nut (H2)** on each **Screw (H1)** and check that the **Handle** is aligned with the edge of the **Sliding Door**. Tighten the **Cap Nuts (H2)** until the **Lock Washer (H4)** is flattened.

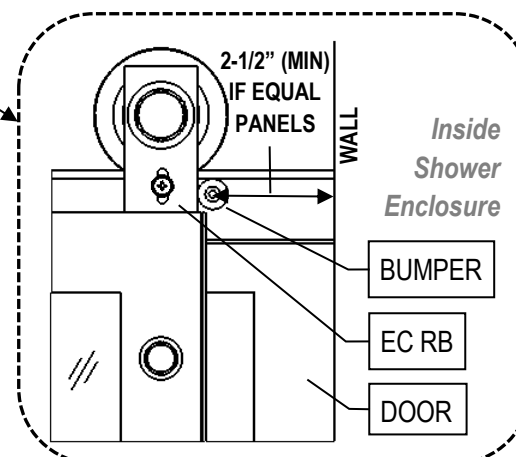
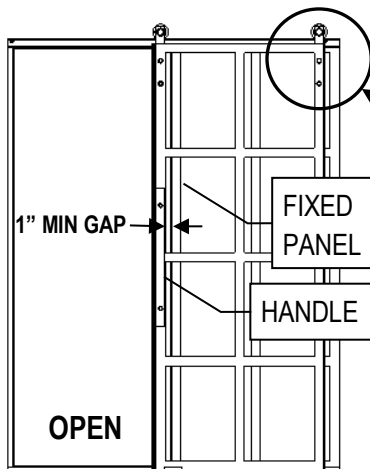
STEP 20. INSTALL DOOR BUMPERS



- Sliding Door movement halts when the **Roller Brackets EC RB** stop against **Door Bumpers CP5834B** installed on the inside of the **Header CST 960**.
- Locate **Door Bumpers** vertically as flush with the top edge of the **Header** (center at 5/16" from the top of the **Header**).
- Locate **Door Bumpers** horizontally as detailed below.

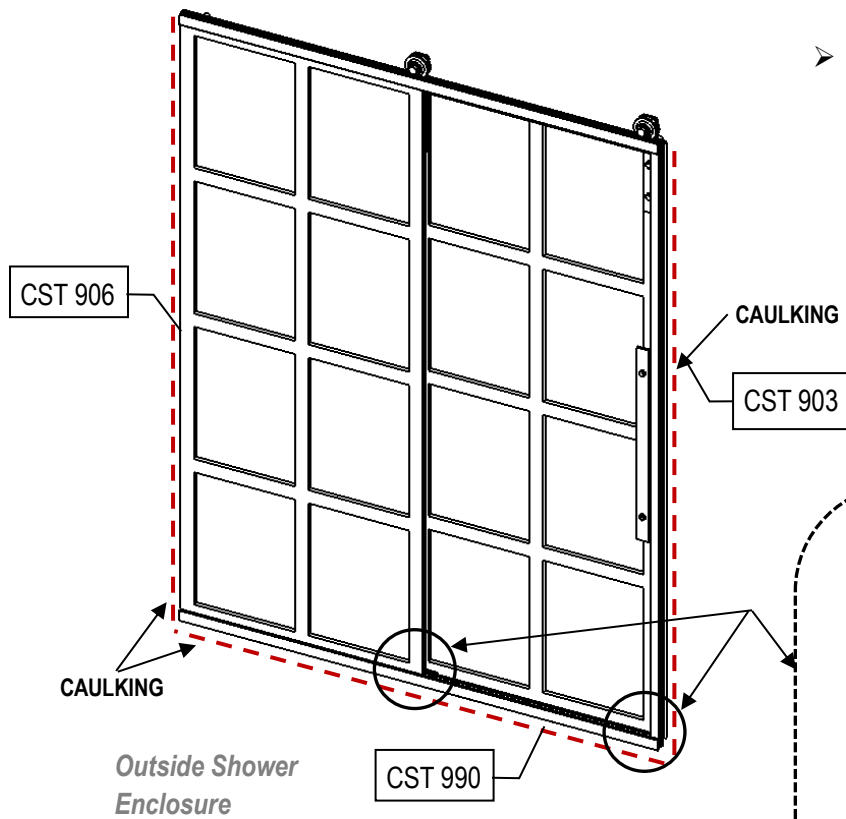


- Close the **Door** until the **Bubble Seal C 959 C** touches the wall.
- Place the first **Bumper** on the back of the **Header** against the **Handle-side Roller Bracket EC RB**.
- Mark hole location on the **Header** (at about 3/4" from the wall).
- Drill 9/64" pilot hole 5/8" deep.
- Secure **Bumper** with **#8 x 3/4" Screw** (Black Head).



- Open the **Door** with a minimum 1" gap from the **Handle EC H18** to the **Fixed Panel**.
- Place the second **Bumper** on the back of the **Header** against the **Panel-side Roller Bracket EC RB**.
- Mark hole location on the **Header** (at minimum 2 1/2" from the wall for a typical unit with equal panels, more for large openings with a wider fixed panel).
- Drill 9/64" pilot hole 5/8" deep.
- Secure **Bumper** with **#8 x 3/4" Screw** (Black Head).

STEP 21. SEAL UNIT EXTERIOR



- To complete the installation, run a bead of clear (or matching color) mildew resistant caulking around the outside perimeter of the shower at the **Sill CST 990** and the **Wall Jamb** **CST 906** and **CST 903**.

- Caulk the crevices where the **Sill Cover Dam CST 901** meets the **Fixed Panel / Door Jamb Covers CST 964**.
- Follow the caulking manufacturer's instructions before using the shower.

