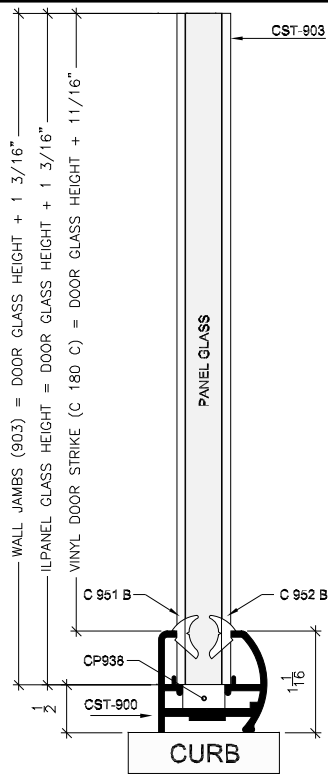


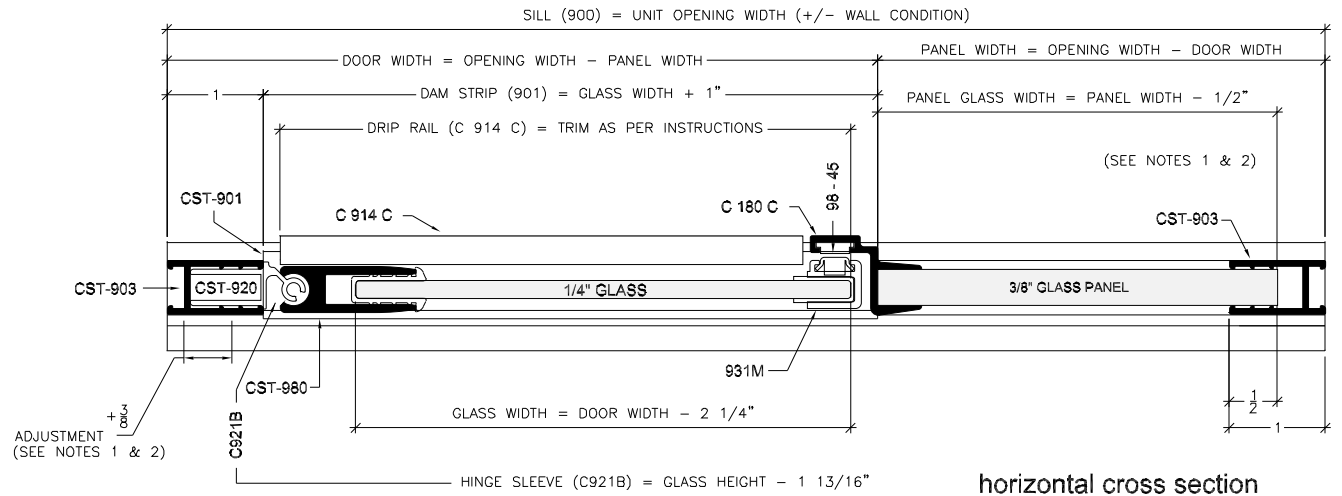
**Door Panel**  
vertical cross section



**Inline Panel**  
vertical cross section

**NOTES:**

1. FORMULAS ARE BASED ON A MINIMUM WIDTH OPENING. WHEN MEASURING OPENING WIDTHS, ALWAYS CHECK FOR OUT OF PLUMB WALL CONDITIONS.
2. STANDARD DOOR WIDTH ADJUSTMENT IS (+) HALF OF AN INCH. THE HALF INCH IS GAINED BY ADJUSTING (TELESCOPING) THE HINGE METAL (920) WITHIN IT'S WALL JAMB FOR A 3/8" GAIN AN ADDITIONAL 1/8" CAN BE GAINED BY ADJUSTING (TELESCOPING) THE INLINE PANEL GLASS 1/8" WITHIN IT'S REPECTIVE WALL JAMB (903).



**horizontal cross section**

Series

Unit Configuration

ILLUSION

Frameless Door w/ 1 Inline Panel (980)



**Coastal Industries Inc.**