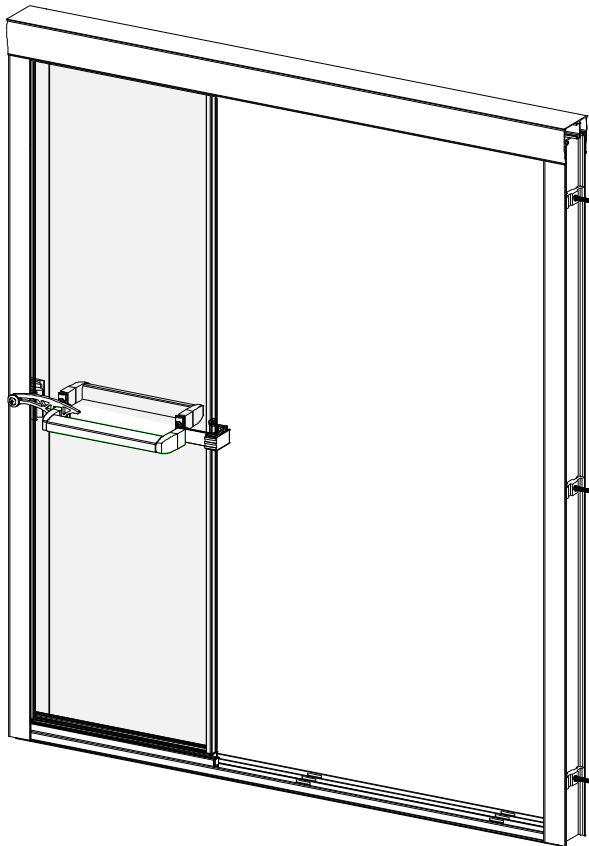
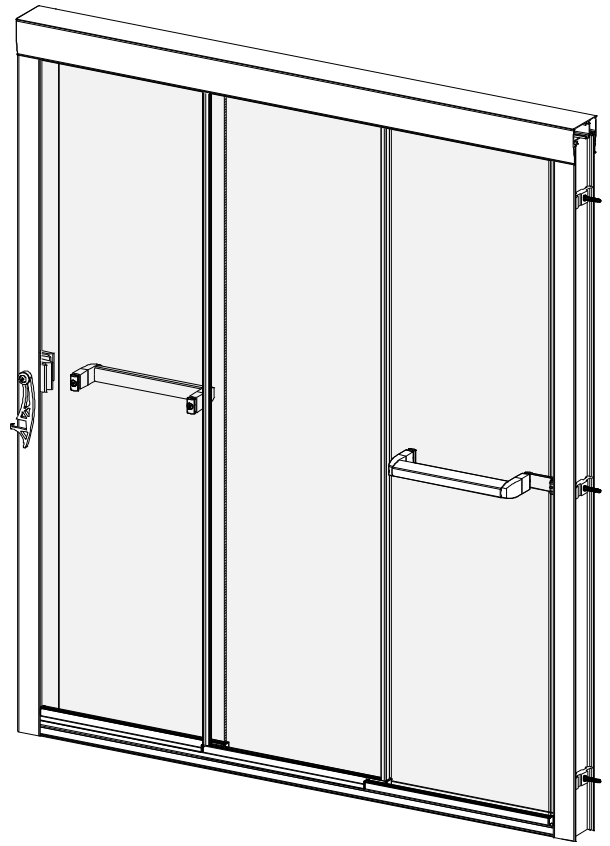


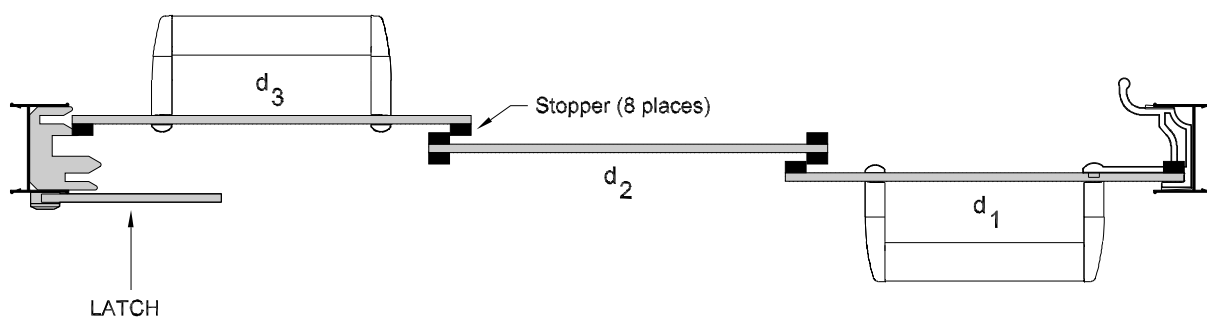
## TriPass Series (Installation Instructions) 7900 Series Configuration "A"

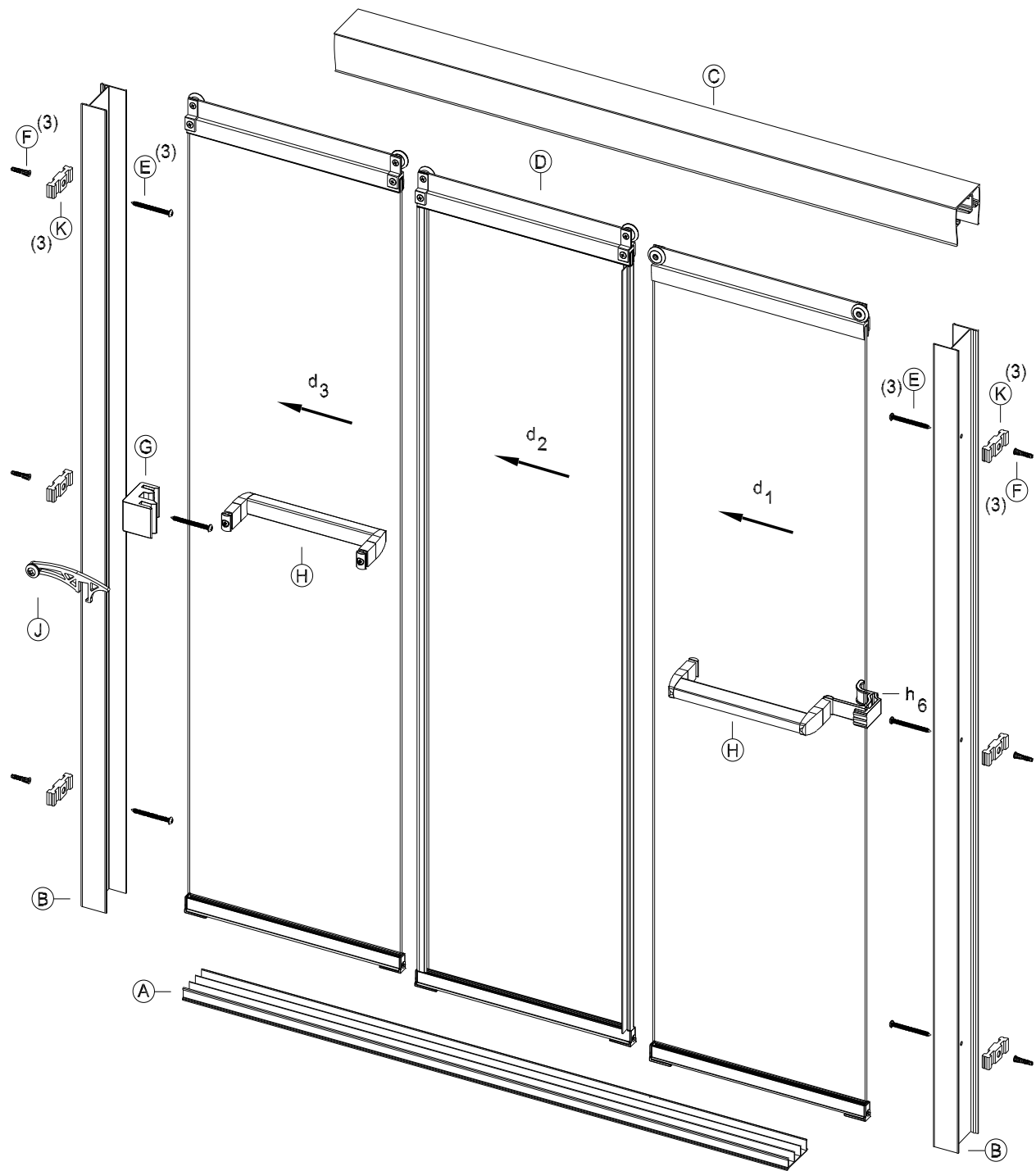


OPENED



CLOSED

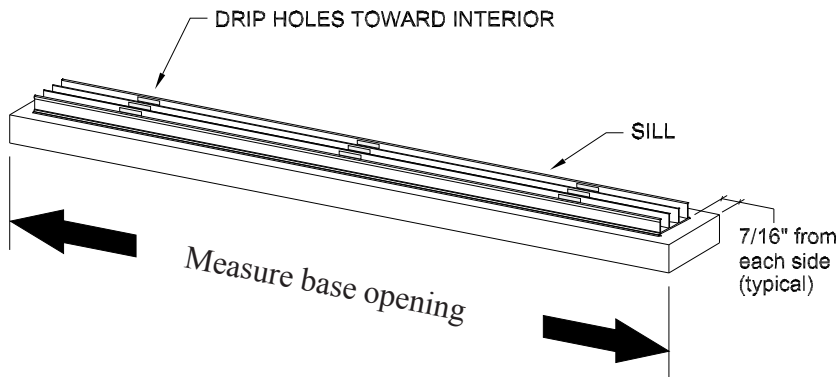




KEY LETTER	PART NUMBER	DESCRIPTION	QTY
A	783	SILL	1
B	7842	WALL JAMB	2
C	7852	HEADER	1
D		PANEL ASSEMBLY	
d1	---	Glass, Outside Panel	1
d2	---	Glass, Middle Panel	1
d3	---	Glass, Inside Panel	1
E	8112	INSTALLATION SCREWS	6
F	1329	SCREW ANCHOR	6
G	CP784B	BUMPER	1

KEY LETTER	PART NUMBER	DESCRIPTION	QTY
H		TOWEL BAR ASSEMBLIES	
h1	69	Towel Bar	1
h2	8154	Towel Bar Bracket	2
h3	8155B	Sleeve	2
h4	8158B	Finger Pull	2
h5	834PORB	Screw	2
h6	CP8159 B	Bumper / Finger Pull (outside pnl only)	1
J		TRAVEL LATCH ASSEMBLY	
j1	CP9743B	Travel Latch	1
j2	SW9742	Shoulder Washer	1
j3	834PORB	Screw	1
K	CP 7841-B	Wall Jamb Spacer	6

## 1. Install Sill

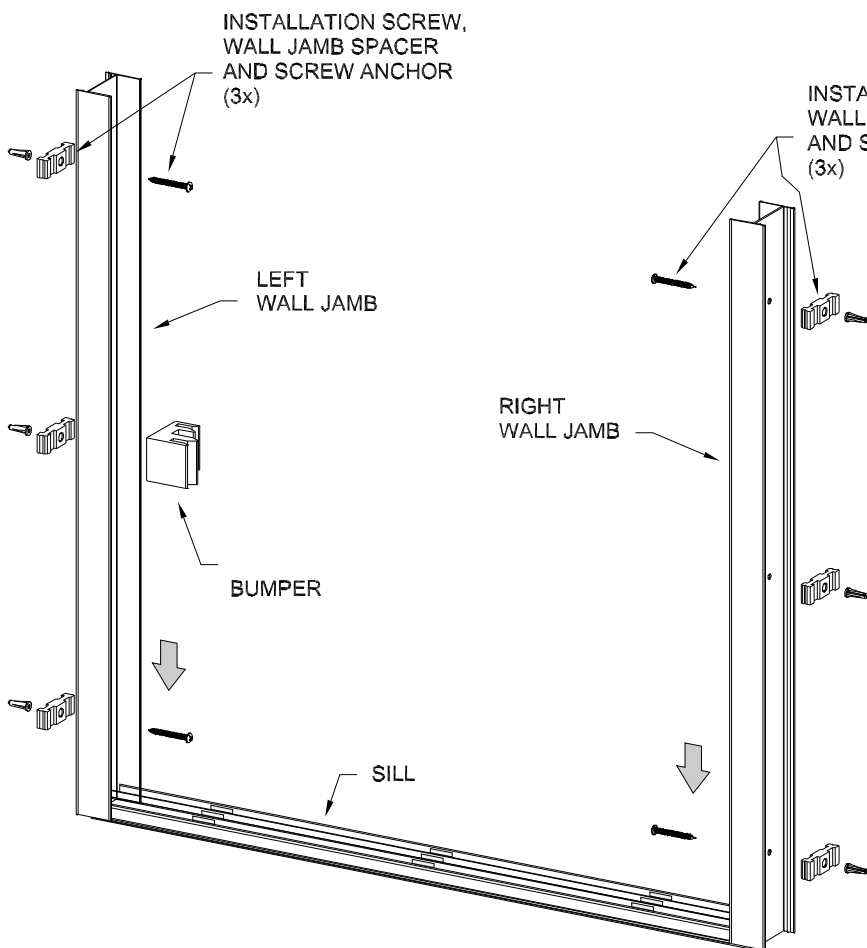


Measure the base opening then trim Sill to 7/8" less than measurement obtained.

With drip holes facing toward interior, position Sill on base curb and center it 7/16" from each side.

Temporarily tape Sill to curb to prevent any movement.

## 2. Install Wall Jambs



Position Wall Jambs on top of the Sill and up against their respective wall, mark the hole locations (3 places per jamb).

Remove Wall Jambs, drill 1-1/2" deep installations holes in places marked using a 3/16 drill bit. Insert Screw Anchors into holes.

Position Wall Jamb Spacers (K) on Wall Jambs as shown and align Spacer holes with the Wall Jamb installation holes.

Reposition Jambs as before and secure top and bottom of Jambs with 1-1/4" Installation Screws provided.

Install Bumper as shown in "Plan View" and secure to Jamb and wall.

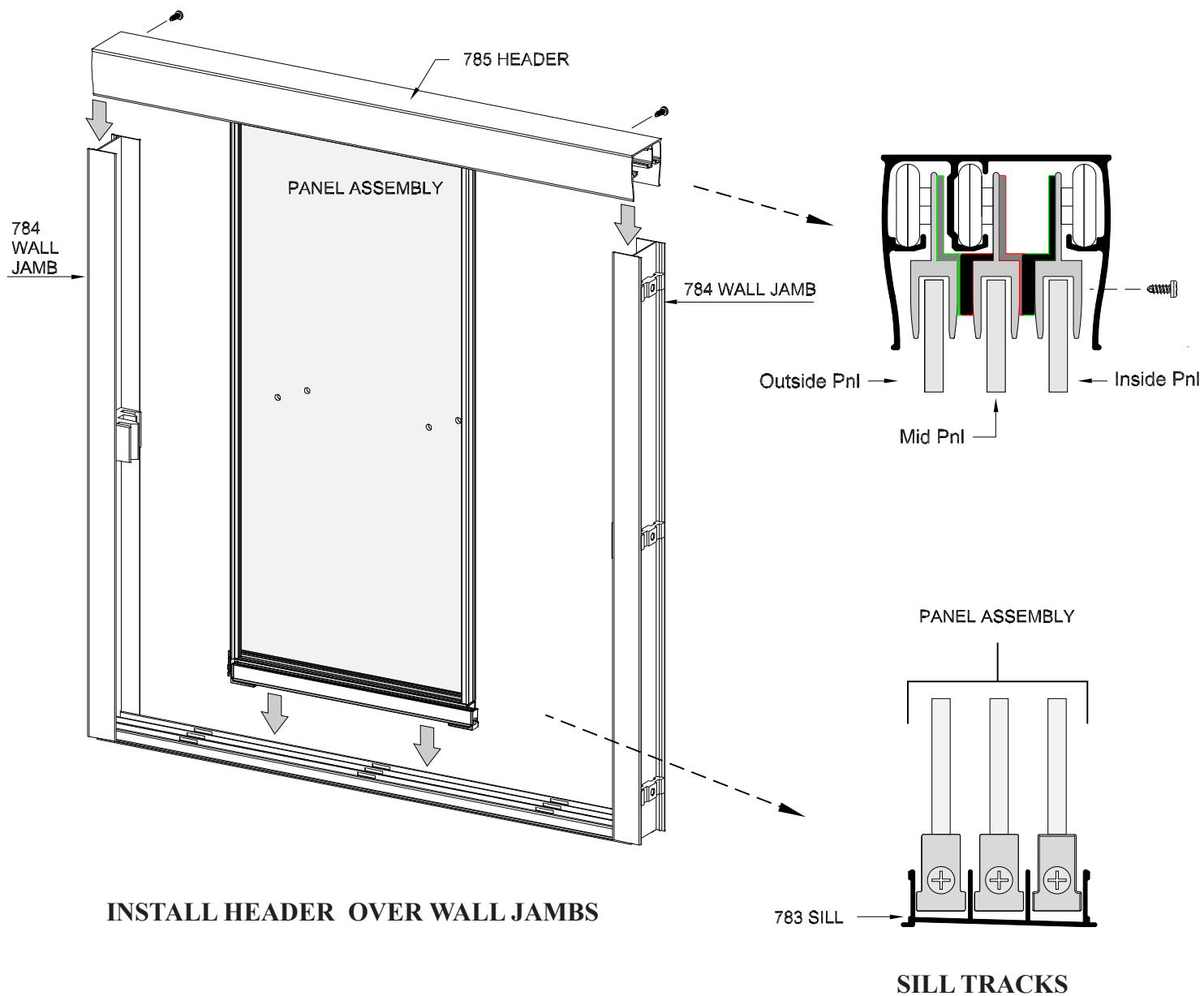


PLAN VIEW



## 4. Install Header on Wall Jambs

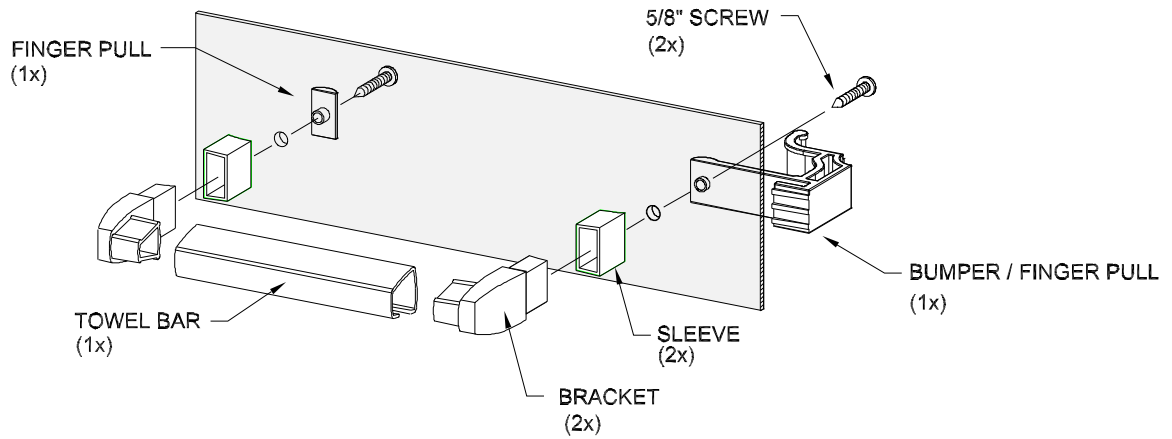
Centered Panel Assemblies on the Header as shown below.



Lift Header and Panel Assemblies as one piece and bring header to rest over Wall Jambs as shown above. Make sure that bottom Panels of assembly fall into the Sill tracks as shown.

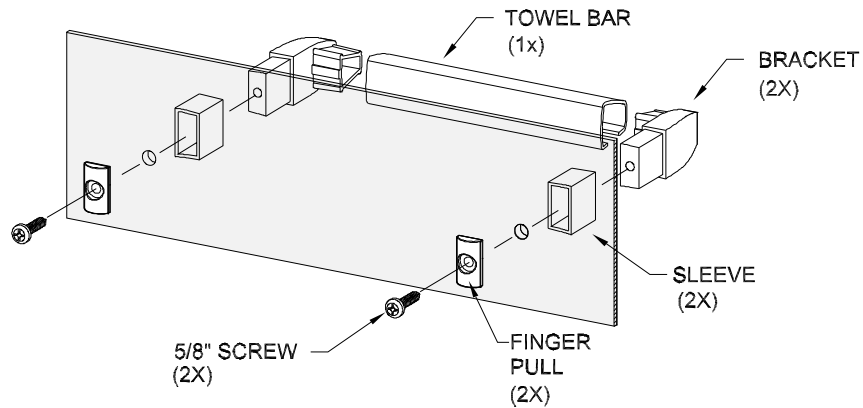
## 5. Install Towel Bar Assemblies

After Panel Assembly is in place, install Towel Bar Assemblies (one to exterior right side, the other to interior on left side) as shown in DETAILS below.



### DETAIL

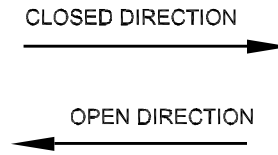
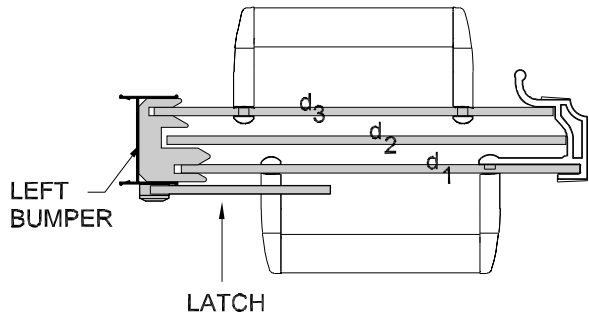
Towel Bar Installation for Door Glass Panel #1 (OUTSIDE PANEL)



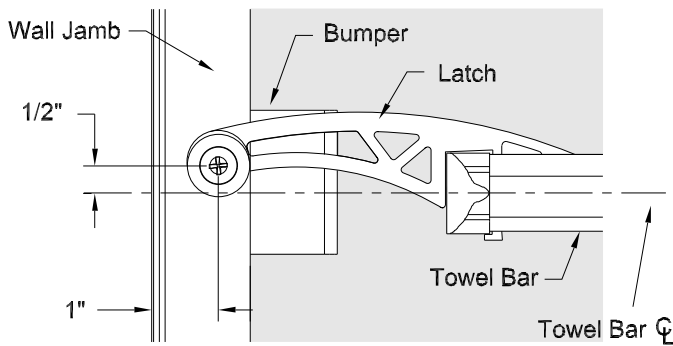
### DETAIL

Towel Bar Installation for Door Glass Panel #3 (INSIDE PANEL)

## 5. Install Latch Assembly



**PLAN VIEW 2**  
(Door Assembly Shown Opened)

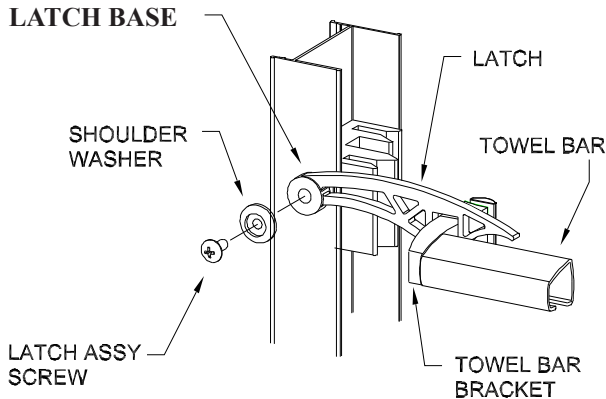


**DETAIL**  
Latch Hole Location

After Towel Bars are in place, slide the Glass Assembly Panels to the left to engage with left Bumper as shown in PLAN VIEW above.

Locate Latch hole as per "Latch Hole location DETAIL" then drill a 1/2" deep hole thru Wall Jamb and plastic Bumper using a 1/8" drill bit.

Insert the Shoulder Washer into Latch base as shown in "Latch installation DETAIL", then secure Latch Assembly to Wall Jamb using Latch Assembly Screw as per detail.



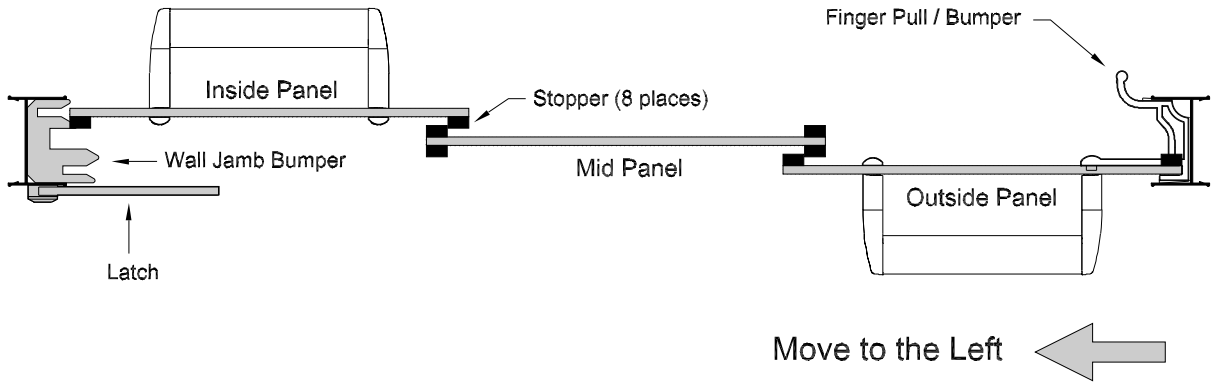
**DETAIL**  
Latch Installation

Finally, caulk all around **OUTSIDE** where unit meets the shower walls and **OUTSIDE** where Sill sits on the curb. Follow caulking manufacturer's instructions before using shower .

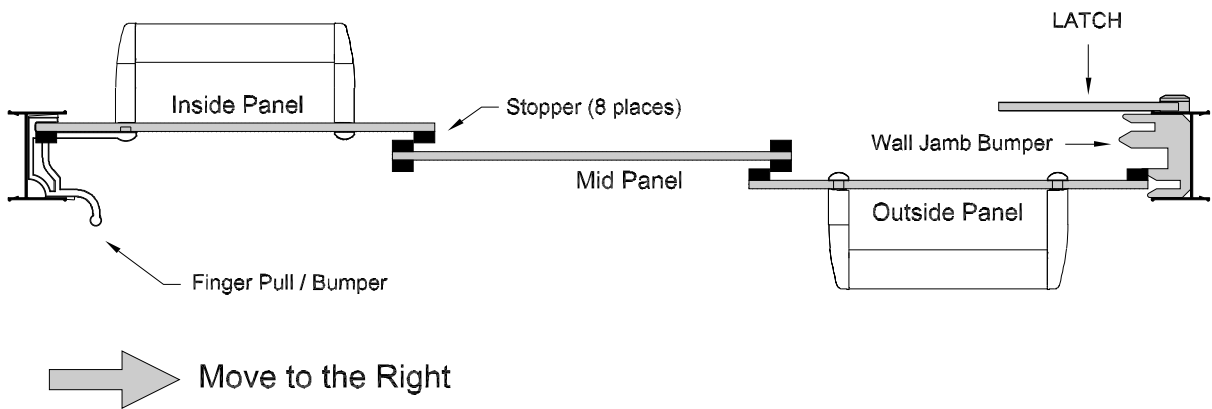
If you choose to caulk the inside, please refrain from applying silicone to the base / curb.

# CONFIGURATION "A"

## FROM A LEFT HAND TO RIGHT HAND CONFIGURATION



LEFT HAND CONFIGURATION (Default)  
(Bumper and Latch located on LEFT as shown)



**RIGHT HAND CONFIGURATION**  
TO MAKE UNIT A RIGHT HAND CONFIGURATION,  
LOCATE WALL JAMB, BUMPER AND LATCH ON RIGHT AS SHOWN, RELOCATE  
FINGER PULL BUMPER FROM OUTSIDE PANEL TO INSIDE PANEL AS SHOWN.