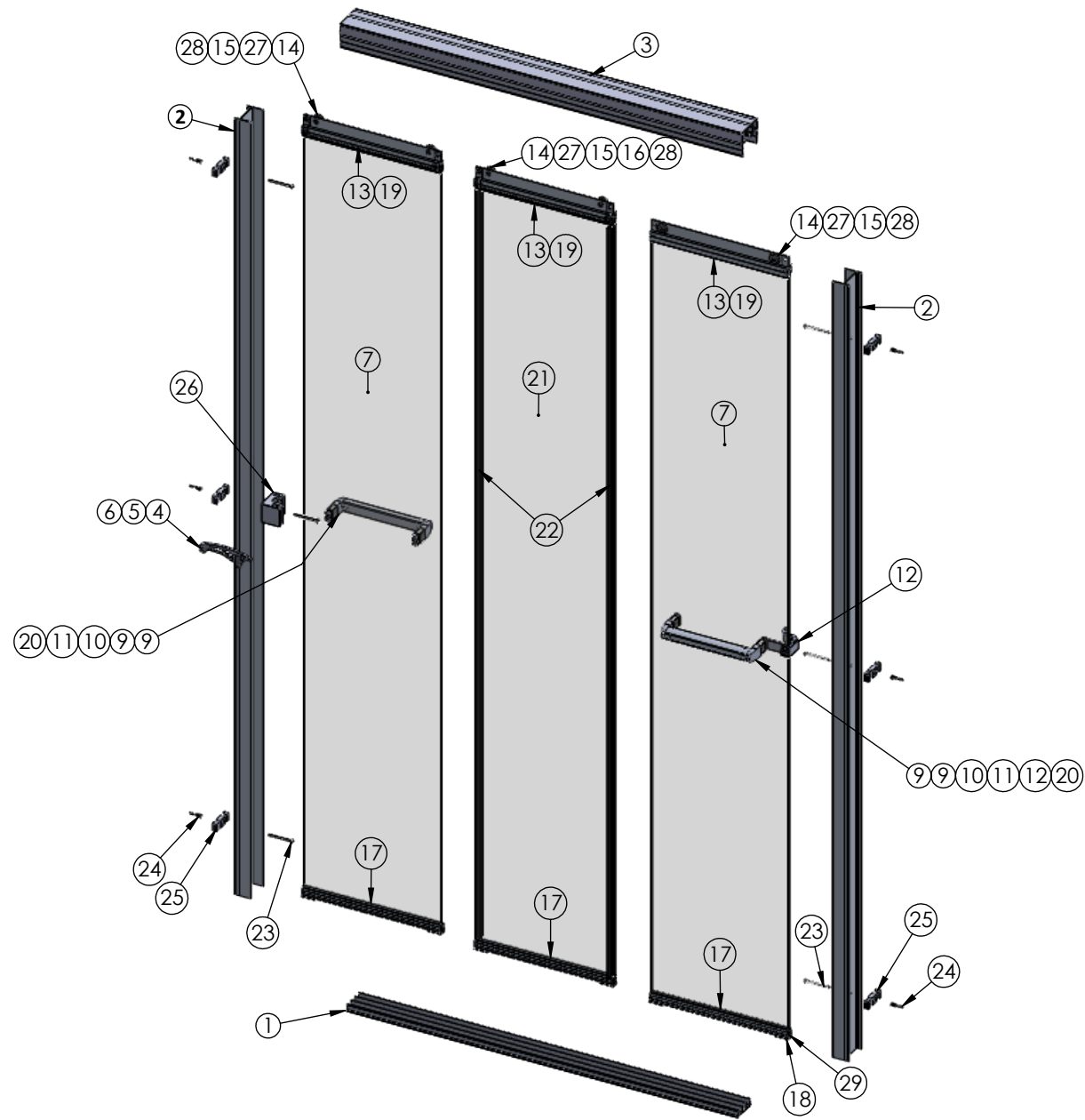


THE INFORMATION CONTAINED IN THIS DRAWING IS THE SOLE PROPERTY OF COASTAL INDUSTRIES, INC., ANY REPRODUCTION IN PART OR WHOLE WITHOUT THE WRITTEN PERMISSION OF COASTAL INDUSTRIES, INC. IS PROHIBITED.

REVISIONS			
REV.	DESCRIPTION	DATE	APPROVED
1		00/00/00	



ITEM NO.	PART NUMBER	DESCRIPTION	QTY.	CUT LENGTH	Processing
1	CST 783	SILL	1	31.15	
2	CST 784	WALL JAMB	2	63.625	
3	CST 785	HEADER	1	32	
4	CP 9743 B	TRAVEL LATCH	1		
5	SW_9742	SHOULDER WASHER	1		
6	93406A198	834PORB	1		
7	Glass (Tripass)	GLASS PANEL w/ TOWEL BAR HOLES	2		
8	8154a	TOWEL BAR BRACKET	4		
9	CST 69	TOWEL BAR	2	6.5	
10	CP 8158 B	FINGER PULL	4		
11	8155	TOWEL BAR SLEEVE	4		
12	CP 8159 B	FINGER PULL / BUMPER	1		
13	CST 782	TOP RAIL	3	10.9375	
14	PN 707	ROLLER	6		
15	812FHP	ROLLER SCREW	9		
16	CP 782-1 B	TRAVEL CLIP (bigger)	6		
17	CP 782-2 B	TRAVEL CLIP (small)	2		
18	814FHT	TORX SCREW, TRAVEL CLIP	8		
19	CST 235 R1	BOTTOM RAIL	3	10.9375	
20	CP235	GUIDE, BOTTOM RAIL	6		
21	C 780 B	GLAZING VINYL, TOP	3		
22	812FHP	ROLLER SCREW	6		
23	91735A205	TOWEL BAR SCREW	4		
24	Glass (Tripass)	GLASS PANEL , w/ No Holes	1		
25	C 977 C	EDGE VINYL, WIPER	2	61.5	
26	8114P	INSTALLATION SCREW	6		
27	1329	SCREW ANCHOR	6		
28	CP 7841-B	Wall Jamb Spacer	6		
29	CP 784 B		1		

GLASS SIZES : 11" x 62 1/2" (Total 3)

NOTES

1	
2	
3	
4	
5	

T 7832.65P-C		TOLERANCES SHOULD MEET INDUSTRY STANDARDS UNLESS OTHERWISE SPECIFIED.		APPROVALS	DATE
Tripass Unit				DRAWN	J.G. 10/05/2016
Bill of Material		UNSPECIFIED WALL THICKNESS -		CHECKED	
SIZE B		UNSPECIFIED RADIUS CORNERS -		RESP ENG	
DWG. NO. TP 700		MATERIAL -		MFG ENG	
SCALE NTS		FINISH - -		CAD GENERATED DRAWING. DO NOT MANUALLY UPDATE.	
CAD FILE: TP 700		SHEET 1 of 6			

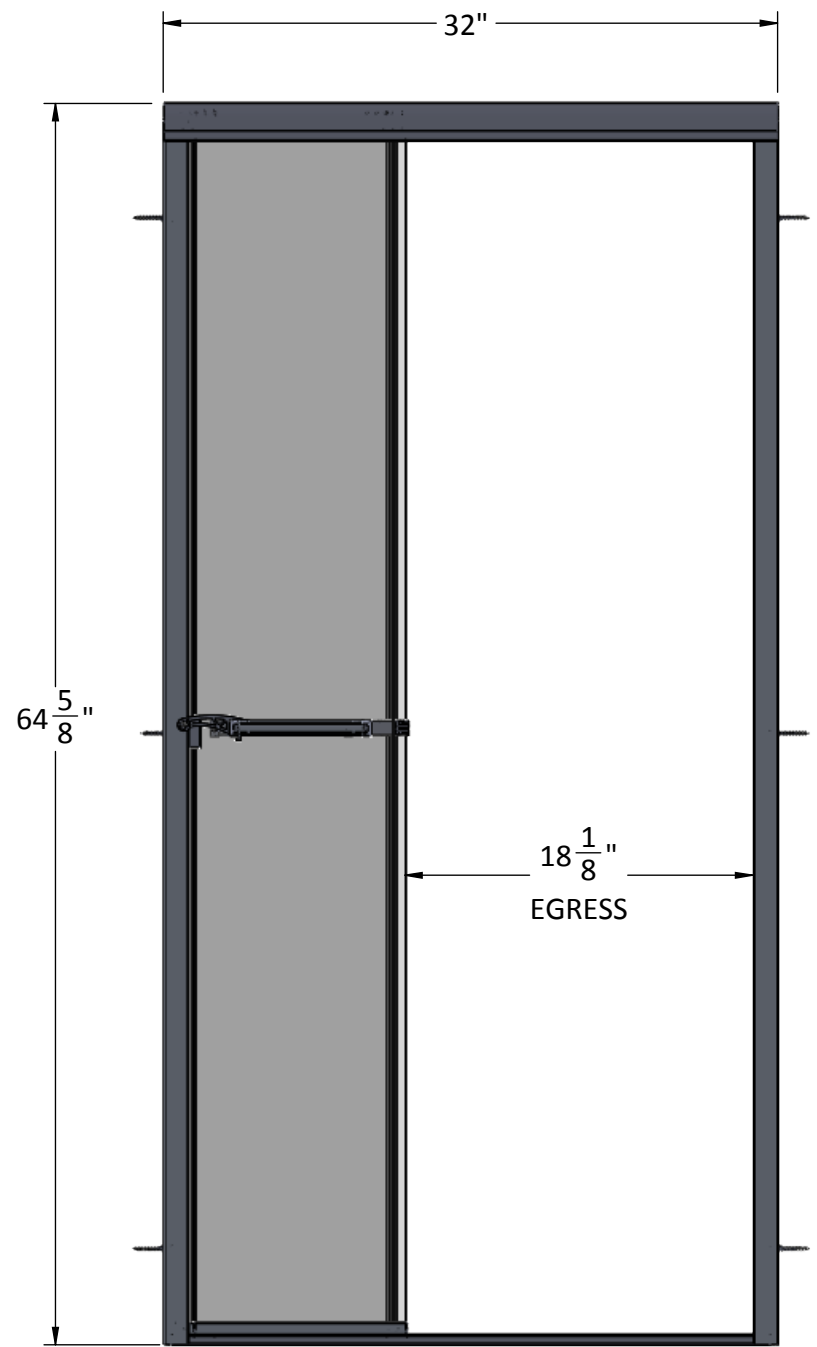


Coastal Industries, Inc.
P.O. Box 16091
Jacksonville, FL 32245

8 7 6 5 4 3 2 1

THE INFORMATION CONTAINED IN THIS DRAWING IS THE SOLE PROPERTY OF COASTAL INDUSTRIES, INC., ANY REPRODUCTION IN PART OR WHOLE WITHOUT THE WRITTEN PERMISSION OF COASTAL INDUSTRIES, INC. IS PROHIBITED.

REVISIONS			
REV.	DESCRIPTION	DATE	APPROVED
1		00/00/00	



UNIT SHOWN OPENED



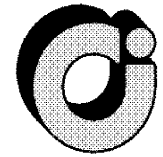
UNIT SHOWN CLOSED

A NOTES

1	
2	
3	
4	
5	

T 7832.65P-C	
Tripass Unit	
Open / Closed Configuration	
SIZE B	DWG. NO. TP 700
SCALE NTS	CAD FILE: TP 700
	SHEET 2 of 6

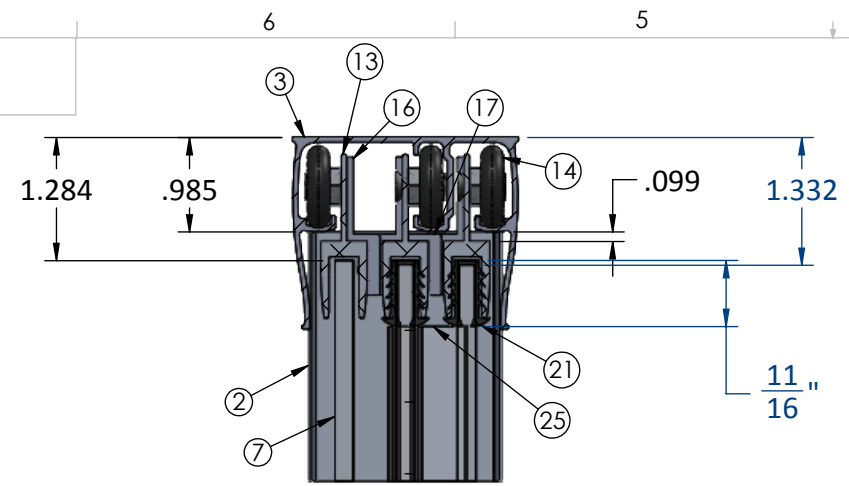
TOLERANCES SHOULD MEET INDUSTRY STANDARDS UNLESS OTHERWISE SPECIFIED.	APPROVALS DRAWN J.G.	DATE 10/05/2016
UNSPECIFIED WALL THICKNESS -	CHECKED	
UNSPECIFIED RADIUS CORNERS -	RESP ENG	
MATERIAL -	MFG ENG	
FINISH - -	CAD GENERATED DRAWING, DO NOT MANUALLY UPDATE.	



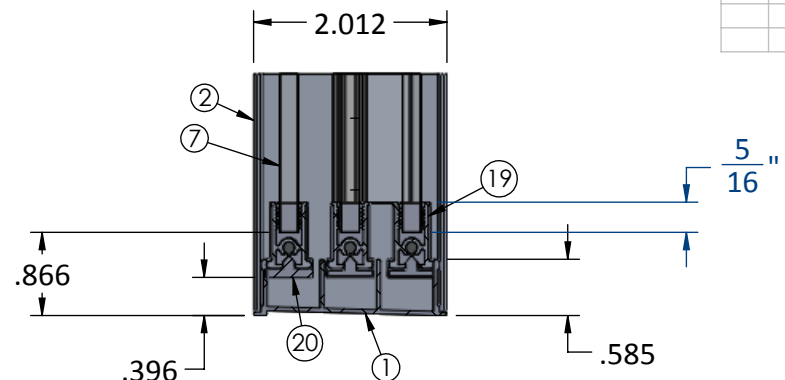
Coastal Industries, Inc.
P.O. Box 16091
Jacksonville, FL 32245

THE INFORMATION CONTAINED IN THIS DRAWING IS THE SOLE PROPERTY OF COASTAL INDUSTRIES, INC., ANY REPRODUCTION IN PART OR WHOLE WITHOUT THE WRITTEN PERMISSION OF COASTAL INDUSTRIES, INC. IS PROHIBITED.

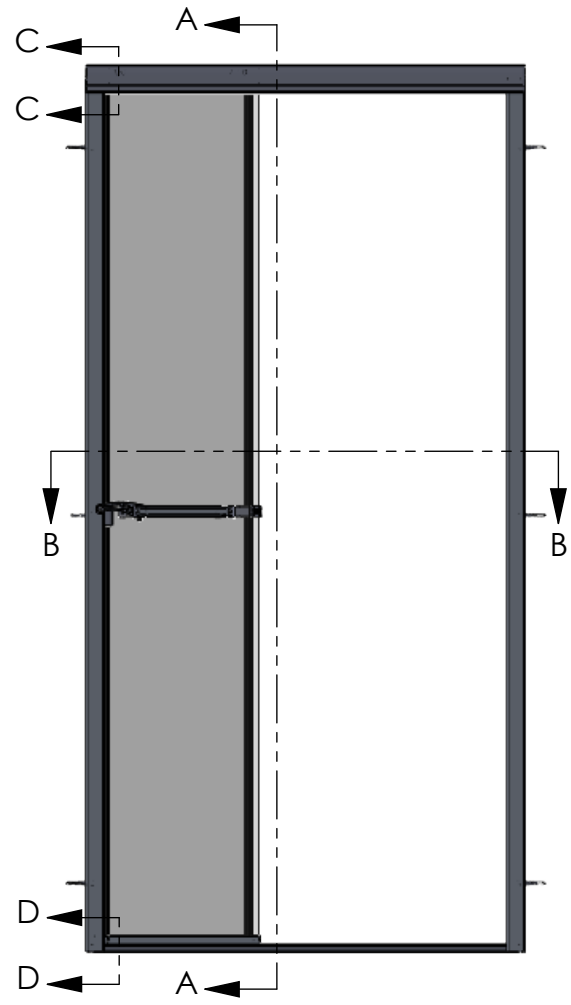
REVISIONS			
REV.	DESCRIPTION	DATE	APPROVED
1		00/00/00	



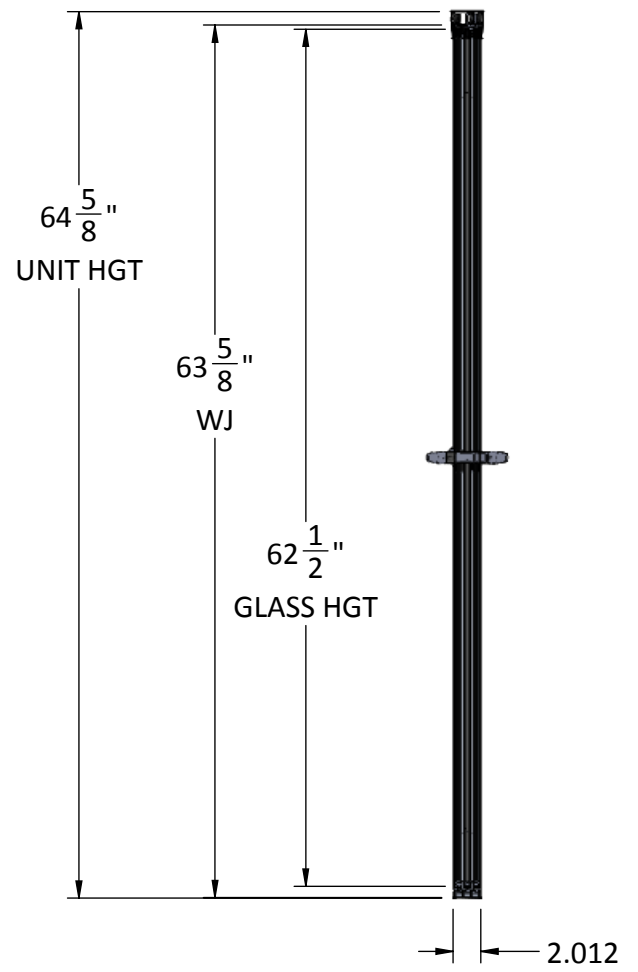
SECTION C-C
SCALE 1 : 2



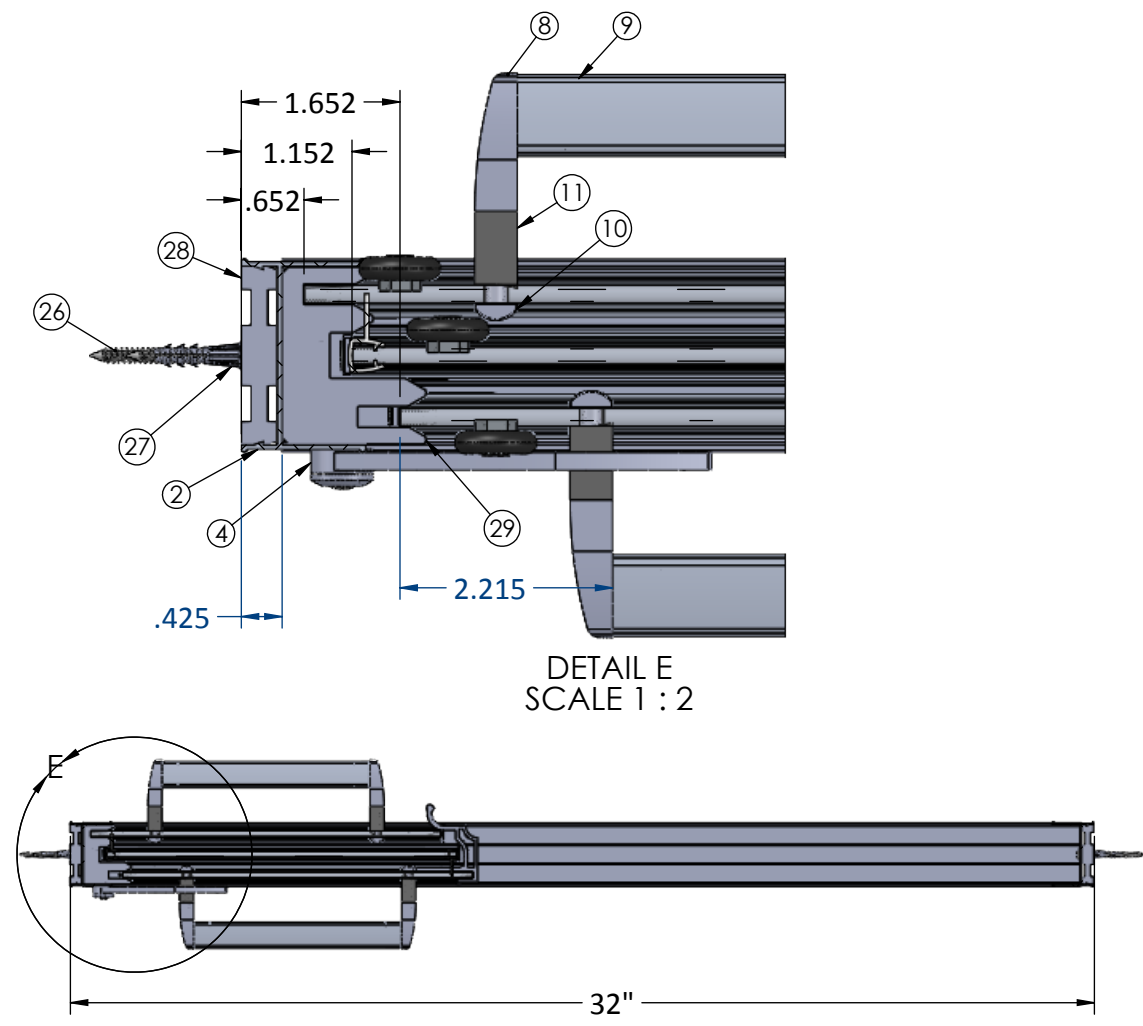
SECTION D-D
SCALE 1 : 2



UNIT SHOWN OPENED



SECTION A-A
SCALE 1 : 14



DETAIL E
SCALE 1 : 2

SECTION B-B
SCALE 1 : 6

NOTES

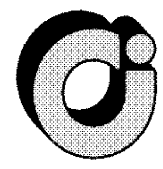
1			
2			
3			
4			
5			

T 7832.65P-C
Tripass Unit
Plan / Section Views

SIZE DWG. NO. **TP 700**
SCALE NTS CAD FILE: TP 700

TOLERANCES SHOULD MEET INDUSTRY STANDARDS UNLESS OTHERWISE SPECIFIED.
UNSPECIFIED WALL THICKNESS -
UNSPECIFIED RADIUS CORNERS -
MATERIAL -
FINISH -

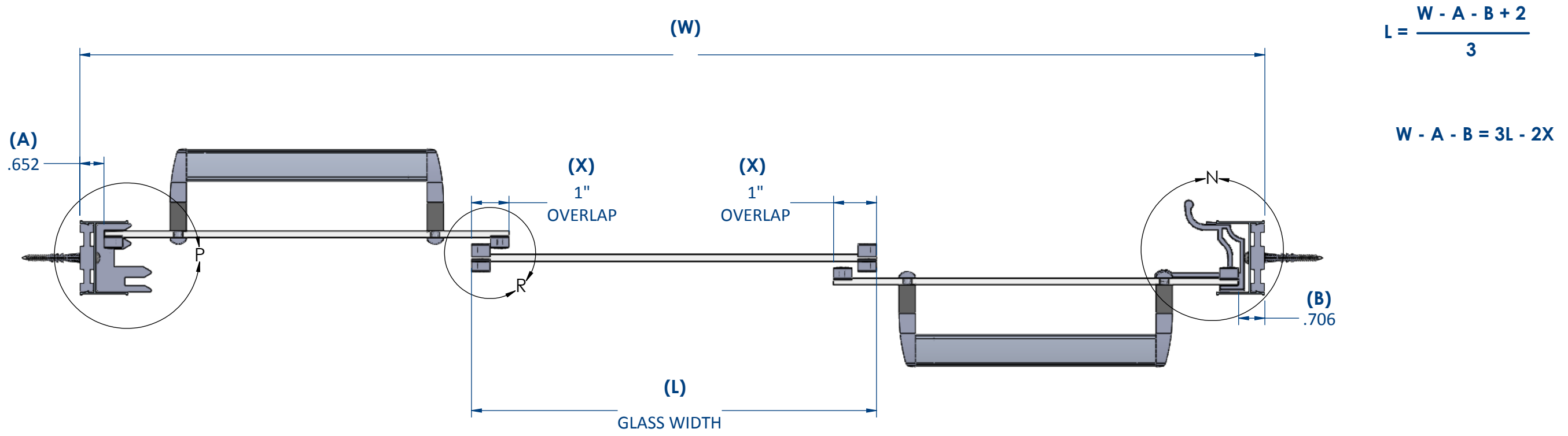
APPROVALS	DATE
DRAWN J.G.	101/05/2016
CHECKED	
RESP ENG	
MFG ENG	
CAD GENERATED DRAWING, DO NOT MANUALLY UPDATE.	



Coastal Industries, Inc.
P.O. Box 16091
Jacksonville, FL 32245

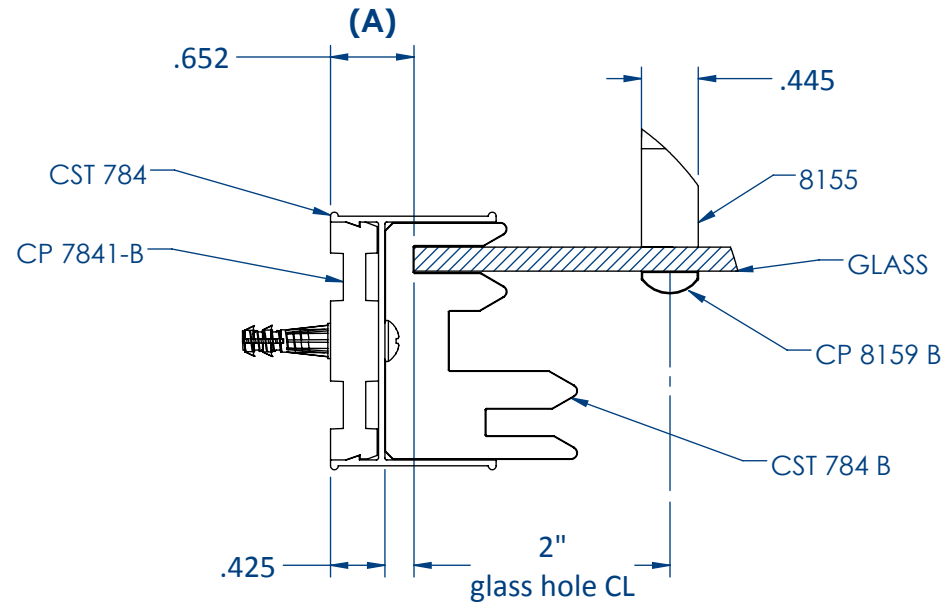
THE INFORMATION CONTAINED IN THIS DRAWING IS THE SOLE PROPERTY OF COASTAL INDUSTRIES, INC.. ANY REPRODUCTION IN PART OR WHOLE WITHOUT THE WRITTEN PERMISSION OF COASTAL INDUSTRIES, INC. IS PROHIBITED.

REVISIONS			
REV.	DESCRIPTION	DATE	APPROVED
1		00/00/00	

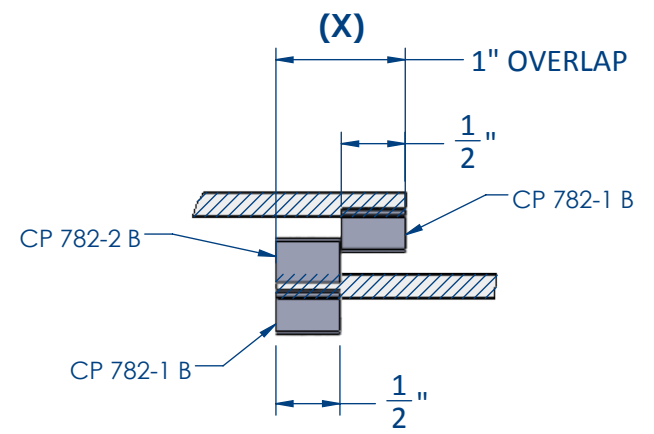


$$L = \frac{W - A - B + 2}{3}$$

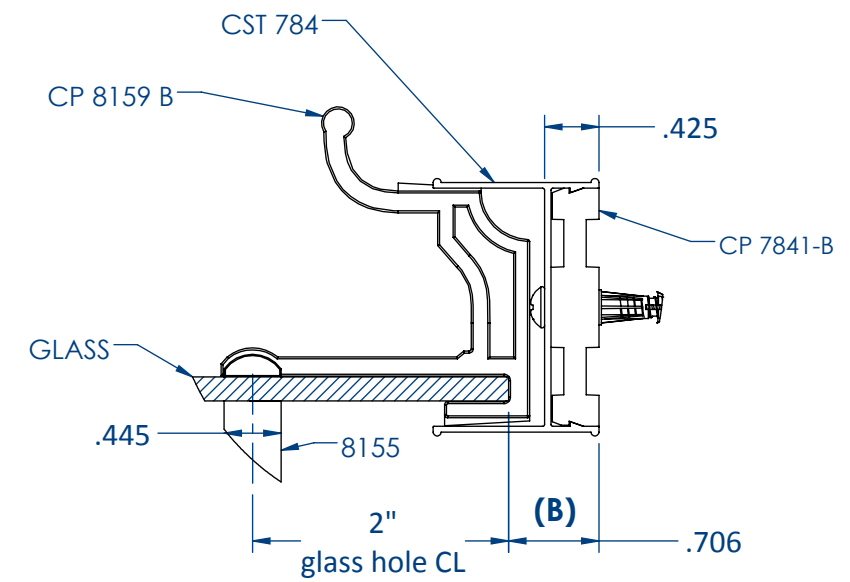
$$W - A - B = 3L - 2X$$



DETAIL P
SCALE 2 : 3



DETAIL R
SCALE 2 : 3



DETAIL N
SCALE 2 : 3

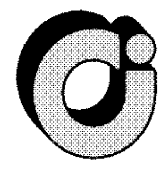
NOTES

1			
2			
3			
4			
5			

T 7832.65P-C
Tripass Unit
Plan / Section Views

SIZE	DWG. NO.	REV.
B	TP 700	-
SCALE	CAD FILE:	SHEET
NTS	TP 700	4 of 6

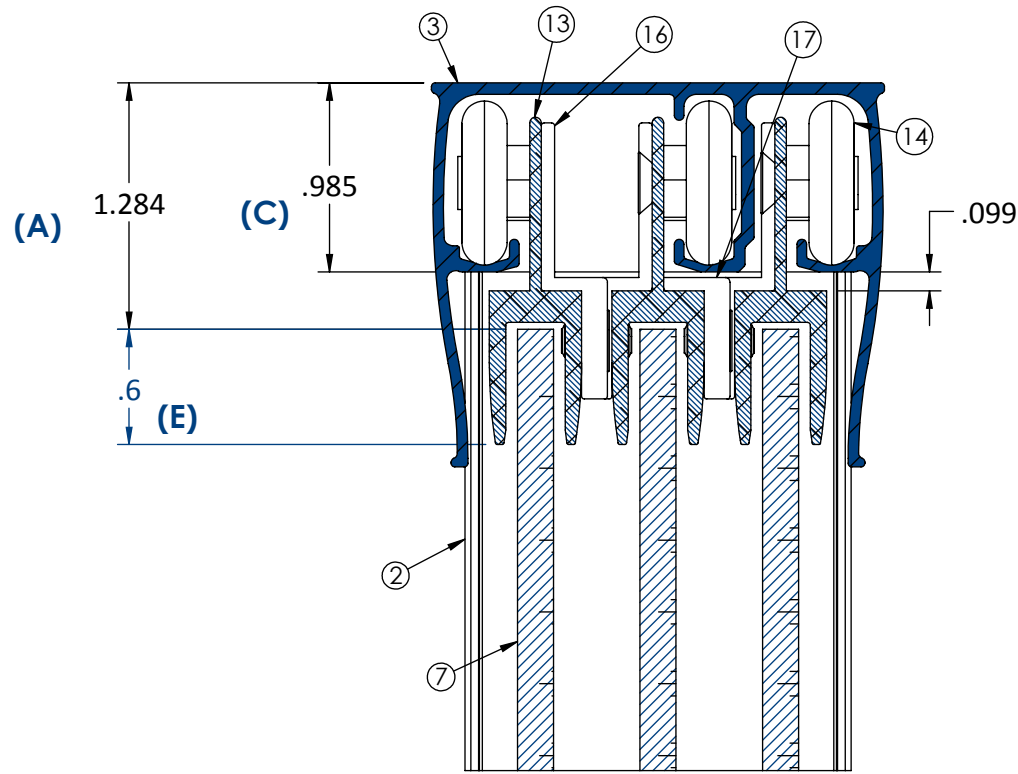
TOLERANCES SHOULD MEET INDUSTRY STANDARDS UNLESS OTHERWISE SPECIFIED.	APPROVALS	DATE
UNSPECIFIED WALL THICKNESS -	DRAWN J.G.	101/05/2016
UNSPECIFIED RADIUS CORNERS -	CHECKED	
MATERIAL -	RESP ENG	
FINISH - -	MFG ENG	
	CAD GENERATED DRAWING, DO NOT MANUALLY UPDATE.	



Coastal Industries, Inc.
P.O. Box 16091
Jacksonville, FL 32245

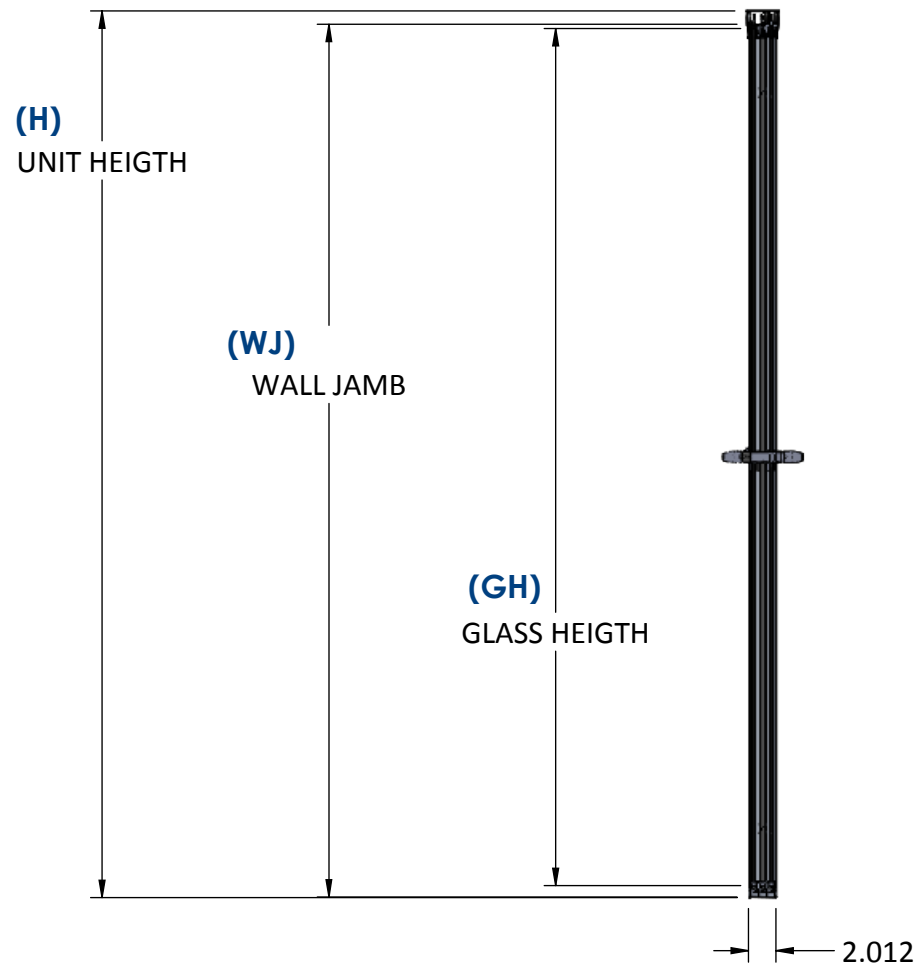
THE INFORMATION CONTAINED IN THIS DRAWING IS THE SOLE PROPERTY OF COASTAL INDUSTRIES, INC., ANY REPRODUCTION IN PART OR WHOLE WITHOUT THE WRITTEN PERMISSION OF COASTAL INDUSTRIES, INC. IS PROHIBITED.

REVISIONS			
REV.	DESCRIPTION	DATE	APPROVED
1		00/00/00	

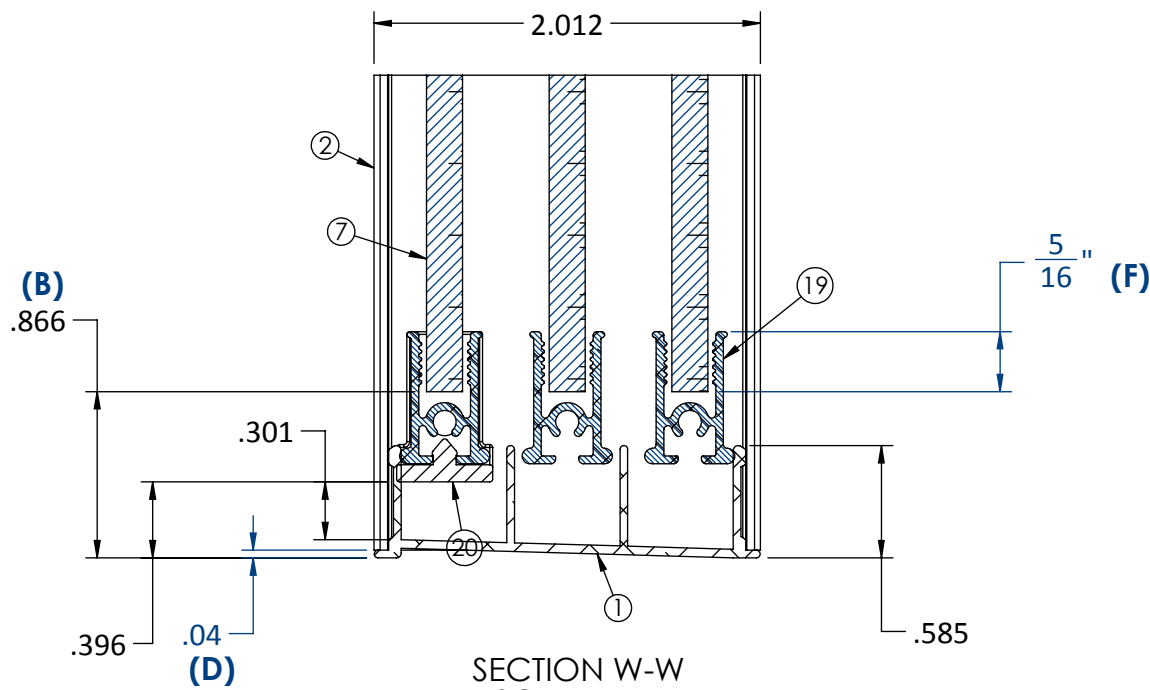


SECTION Y-Y
SCALE 1 : 1

H = UNIT HEIGHT
GH = H - A - B
WJ = H - C - D
Edge Vinyl Length = GH - E - F - 1/6"



SECTION T-T
SCALE 1 : 14



SECTION W-W
SCALE 1 : 1

NOTES

1			
2			
3			
4			
5			

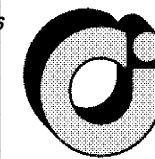
T 7832.65P-C
Tripass Unit
Plan / Section Views

SIZE DWG. NO. **TP 700**
 SCALE NTS CAD FILE: TP 700

REV. -
 SHEET 5 of 6

TOLERANCES SHOULD MEET INDUSTRY STANDARDS UNLESS OTHERWISE SPECIFIED.
 UNSPECIFIED WALL THICKNESS -
 UNSPECIFIED RADIUS CORNERS -
 MATERIAL -
 FINISH -

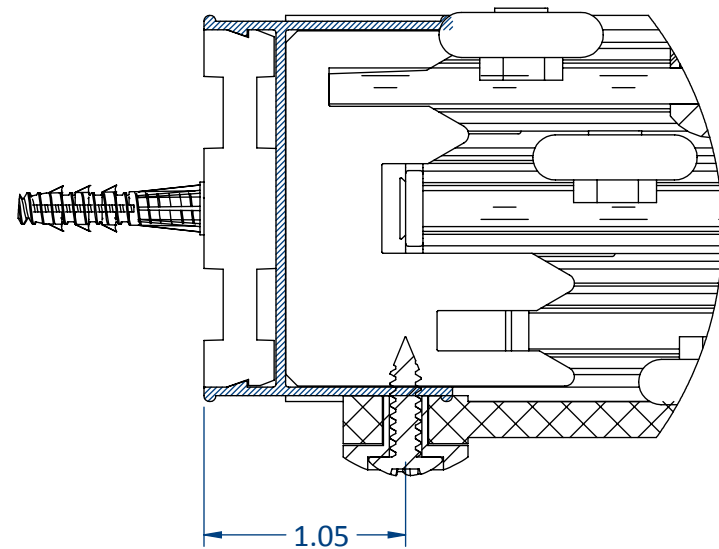
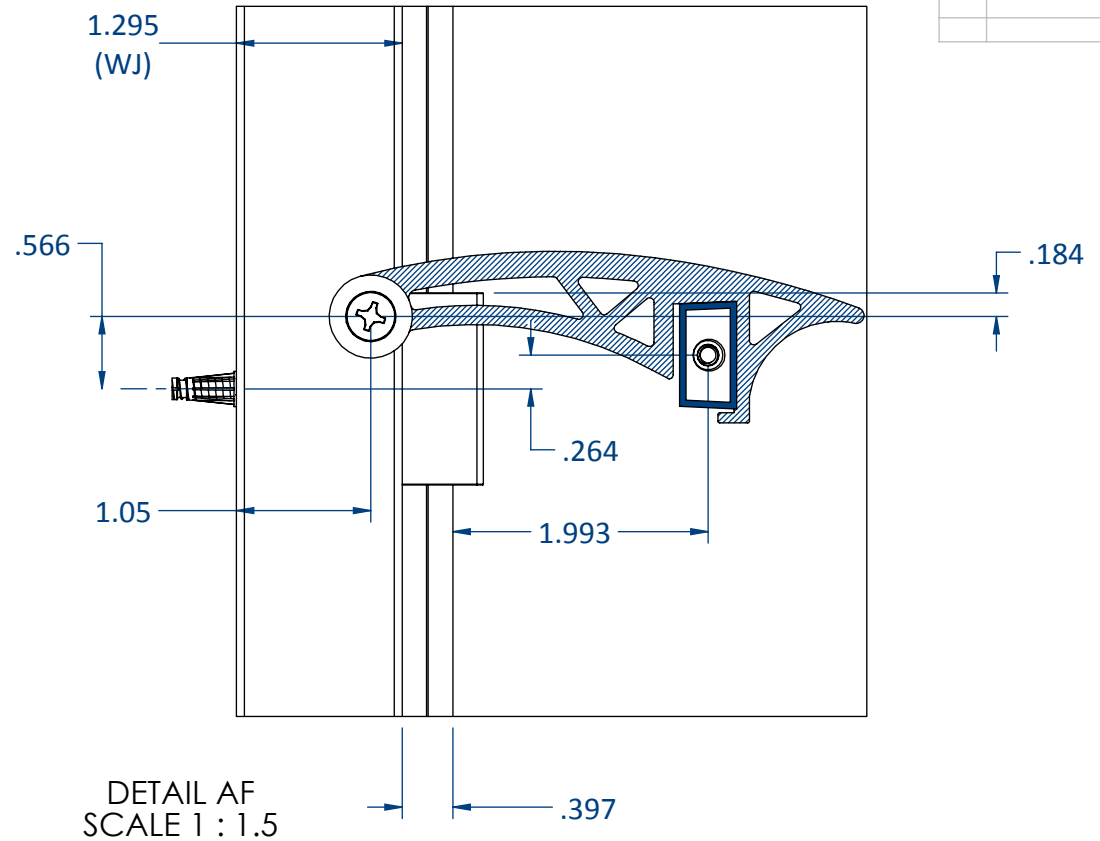
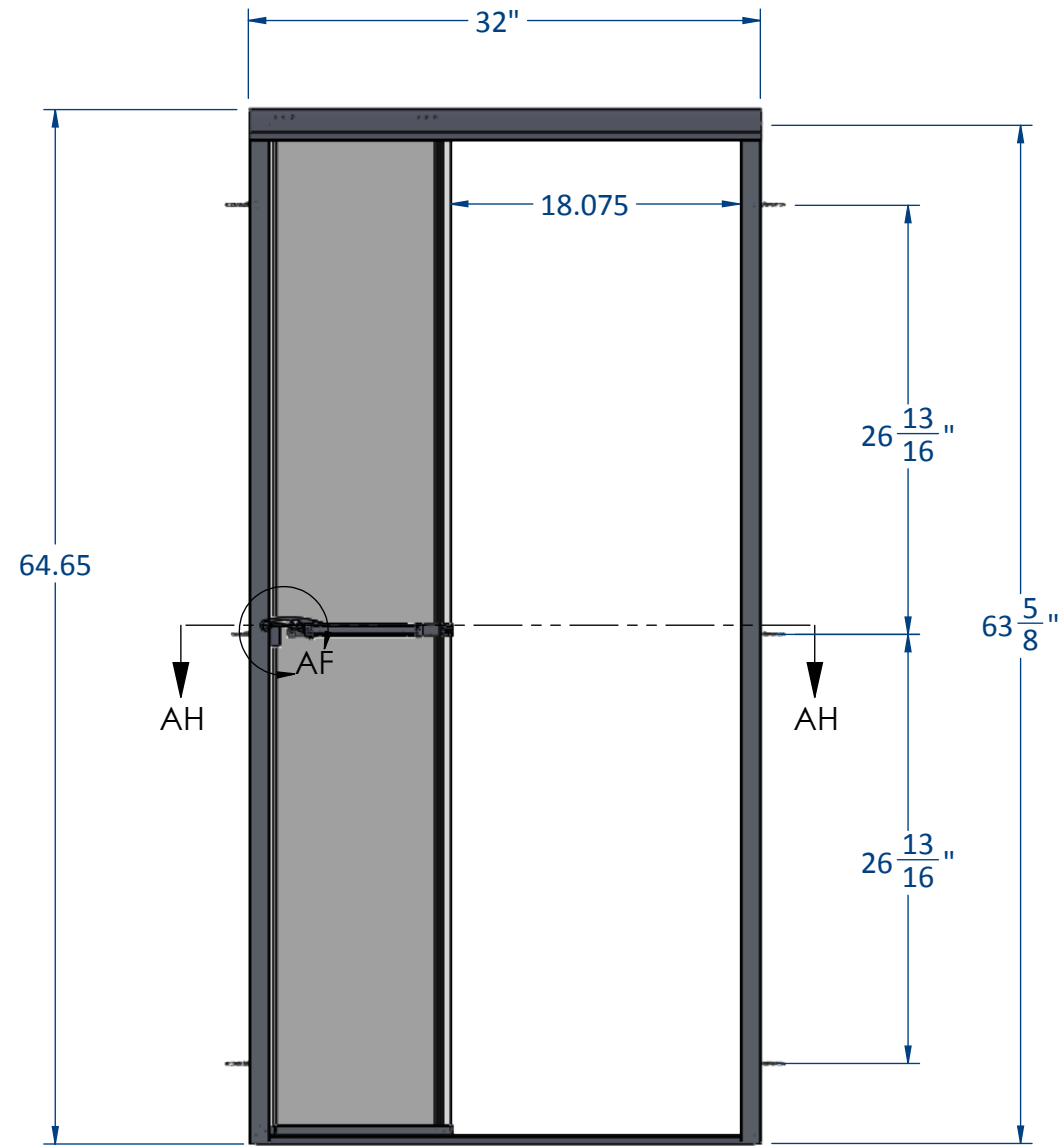
APPROVALS	DATE
DRAWN J.G.	101/05/2016
CHECKED	
RESP ENG	
MFG ENG	
CAD GENERATED DRAWING, DO NOT MANUALLY UPDATE.	



Coastal Industries, Inc.
P.O. Box 16091
Jacksonville, FL 32245

THE INFORMATION CONTAINED IN THIS DRAWING IS THE SOLE PROPERTY OF COASTAL INDUSTRIES, INC., ANY REPRODUCTION IN PART OR WHOLE WITHOUT THE WRITTEN PERMISSION OF COASTAL INDUSTRIES, INC. IS PROHIBITED.

REVISIONS			
REV.	DESCRIPTION	DATE	APPROVED
1		00/00/00	



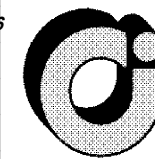
NOTES

1			
2			
3			
4			
5			

T 7832.65P-C
Tripass Unit
Plan / Section Views

SIZE	DWG. NO.	REV.
B	TP 700	-
SCALE	CAD FILE:	SHEET
NTS	TP 700	6 of 6

TOLERANCES SHOULD MEET INDUSTRY STANDARDS UNLESS OTHERWISE SPECIFIED.	APPROVALS	DATE
UNSPECIFIED WALL THICKNESS -	DRAWN J.G.	101/05/2016
UNSPECIFIED RADIUS CORNERS -	CHECKED	
MATERIAL -	RESP ENG	
FINISH -	MFG ENG	
	CAD GENERATED DRAWING, DO NOT MANUALLY UPDATE.	



Coastal Industries, Inc.
P.O. Box 16091
Jacksonville, FL 32245