

Specifications:

DIMENSIONS: 60" w X 78" h

GLASS: 10mm Clear

FINISH: Chrome

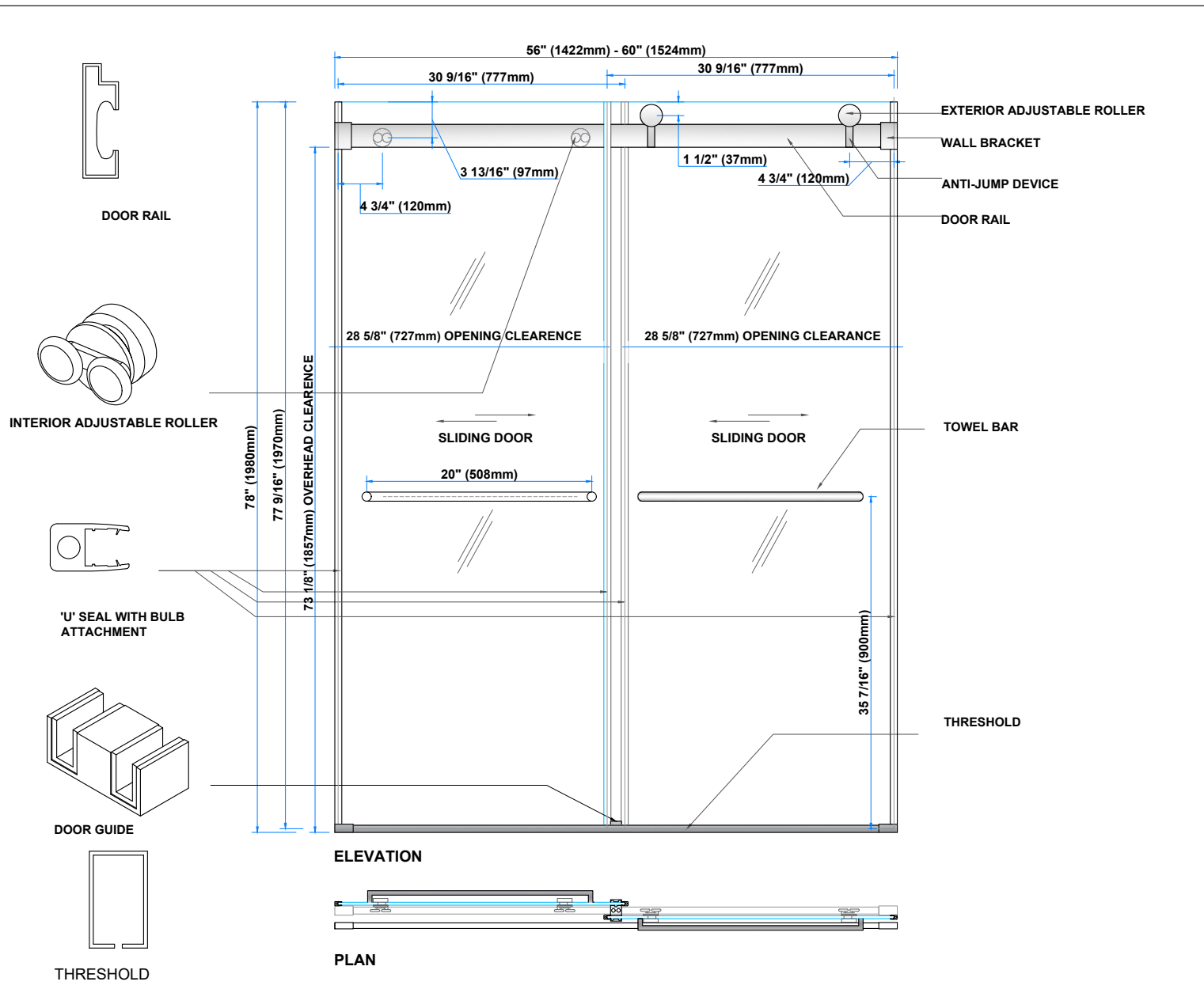
DOOR STYLE: Bypass Sliding Door

GLASS TYPE: ANSI certified tempered glass

Up to 4 in. (102 mm) in width adjustment

Up to 3/8 in. (10 mm) out-of-plumb adjustment

QT: sets

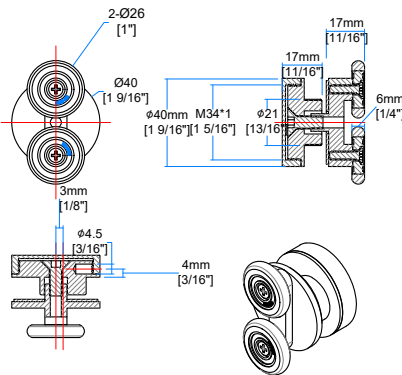


VOLTE'

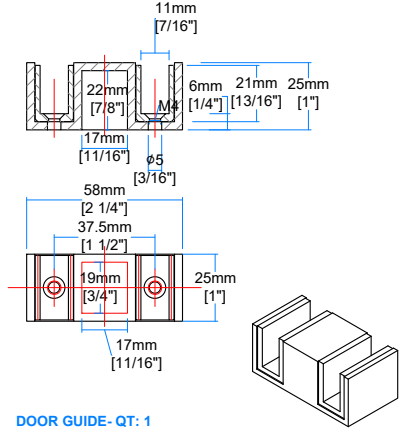
Job No.
 Drawn by.
 Sheet No. 01

Approved by: _____
 Company: _____
 Date: _____

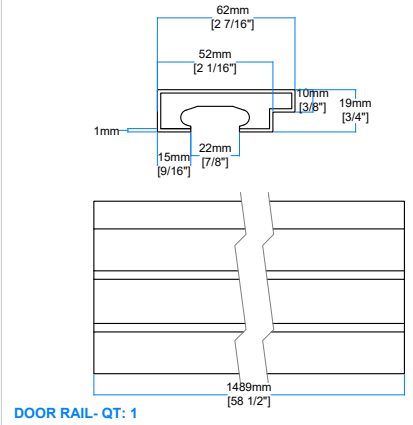
APPROVED FOR CONFORMANCE WITH CONTRACT DOCUMENTS, DIMENSIONAL AND MATERIAL SPECIFICATIONS. SIGNED APPROVAL INDICATES BUYER AUTHORIZATION TO PROCEED WITH FABRICATION, PER THE SHOP DRAWINGS, AND IS SOLELY RESPONSIBLE FOR ANY OMISSIONS OR ERRORS.



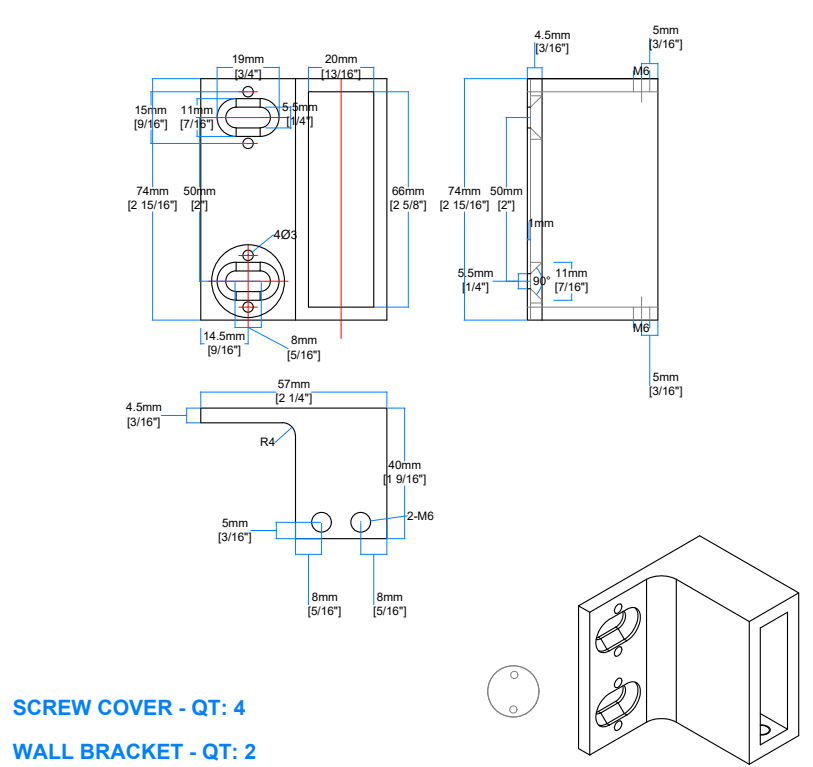
INTERIOR ADJUSTABLE ROLLER - QT:2



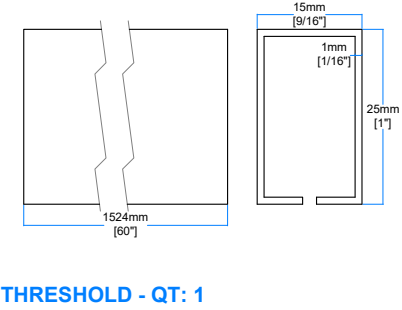
DOOR GUIDE - QT: 1



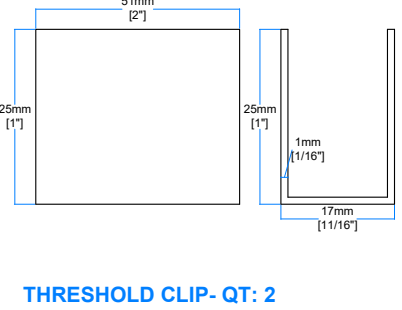
DOOR RAIL - QT: 1



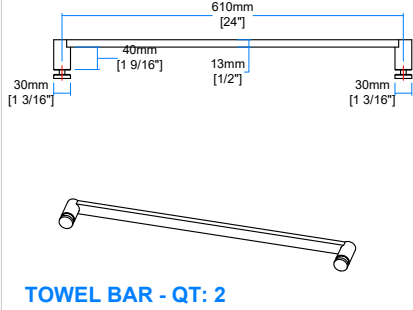
SCREW COVER - QT: 4
WALL BRACKET - QT: 2



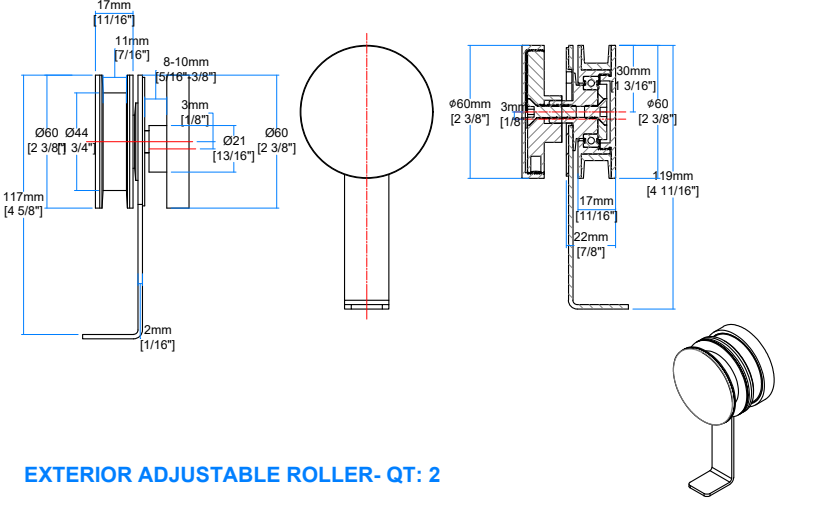
THRESHOLD - QT: 1



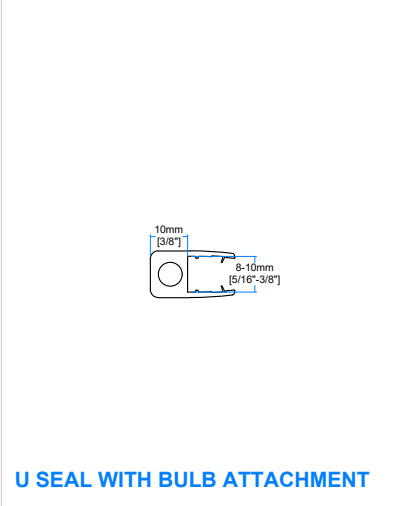
THRESHOLD CLIP - QT: 2



TOWEL BAR - QT: 2



EXTERIOR ADJUSTABLE ROLLER - QT: 2



U SEAL WITH BULB ATTACHMENT

Parts specifications



VOLTE'

FOR APPROVAL

Model:

Drawn by:

Sheet No.

Approved by:

Company:

Date:

APPROVED FOR CONFORMANCE WITH CONTRACT DOCUMENTS, DIMENSIONAL AND MATERIAL SPECIFICATIONS. SIGNED APPROVAL INDICATES BUYER AUTHORIZATION TO PROCEED WITH FABRICATION, PER THE SHOP DRAWINGS, AND IS SOLELY RESPONSIBLE FOR ANY OMISSIONS OR ERRORS.